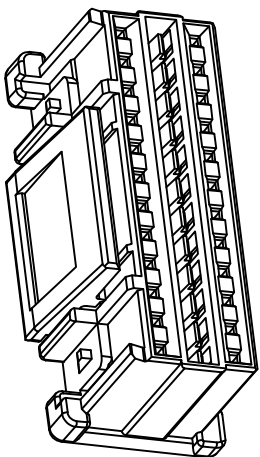
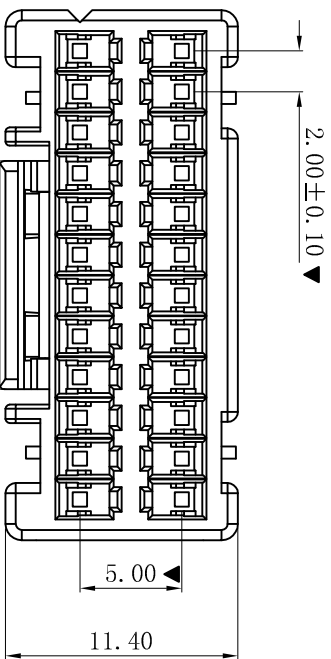
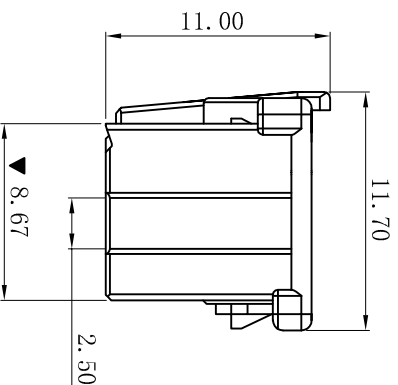
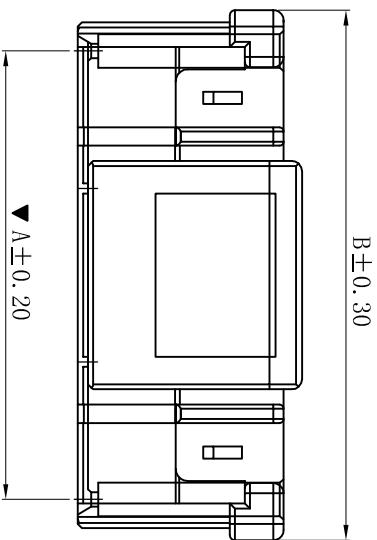


RoHS



- SPECIFICATIONS
- Voltage rating: 250V AC, DC
 - Current rating: 3A, AC, DC
 - Withstanding Voltage: 800V AC/minute
 - Insulation resistance: 1000MΩ min
 - Temperature range: -25° C ~ +85° C
 - Contact resistance: 15mΩ max
- HOUSING
- Part No.: H2022-2xNP
 - Poles : 08-42P
 - Housing Material: PA66 UL94V-0
 - The Dimension Marked “▼” Must Be Recorded



Poles	Dimension mm		
	A	B	C
2x04	6.00	10.00	4.80
2x05	8.00	12.00	4.80
2x06	10.00	14.00	4.80
2x07	12.00	16.00	4.80
2x08	14.00	18.00	4.80
2x09	16.00	20.00	4.80
2x10	18.00	22.00	11.20
2x11	20.00	24.00	11.20
2x12	22.00	26.00	11.20
2x13	24.00	28.00	11.20
2x14	26.00	30.00	11.20
2x15	28.00	32.00	11.20
2x16	30.00	34.00	15.20
2x17	32.00	36.00	15.20
2x18	34.00	38.00	15.20
2x19	36.00	40.00	15.20
2x20	38.00	42.00	15.20
2x21	40.00	44.00	15.20

XYDZ® 东莞市祥运连接器有限公司
 Dongguan XiangYun Connectors CO., Ltd

一般公差
 GENERAL TOLERANCE:
 ANGLE: ±1°

绘图/DR
 审核/CHECK
 批准/APPRO

投影法
 Projection
 单位 Unit
 比例/Scale
 大小/SIZE
 页码/SHEET
 版本/Rev

品名 (PART NAME)
 PND 2.00mm 2xNP Housing
 Connector Series

料号 (PART NO)
 H2022-2xNP

状态码
 C

0±0.30
 ±0.25
 .00±0.20
 .000±0.05

陈雄军
 胡进

日期/DATE
 2022-02-16

陈雄军
 承认

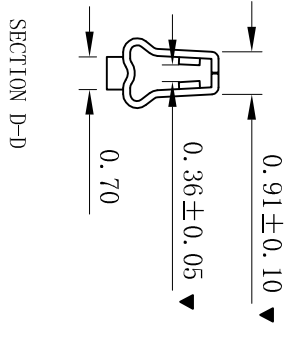
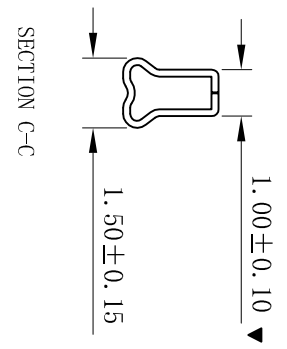
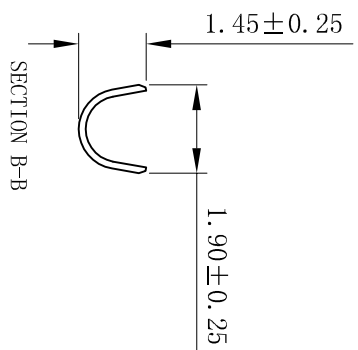
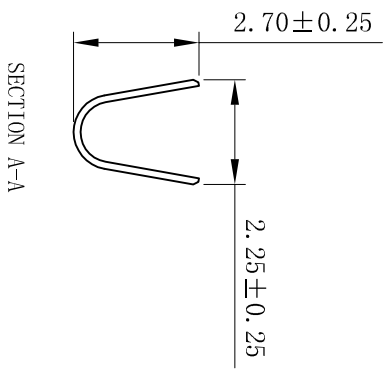
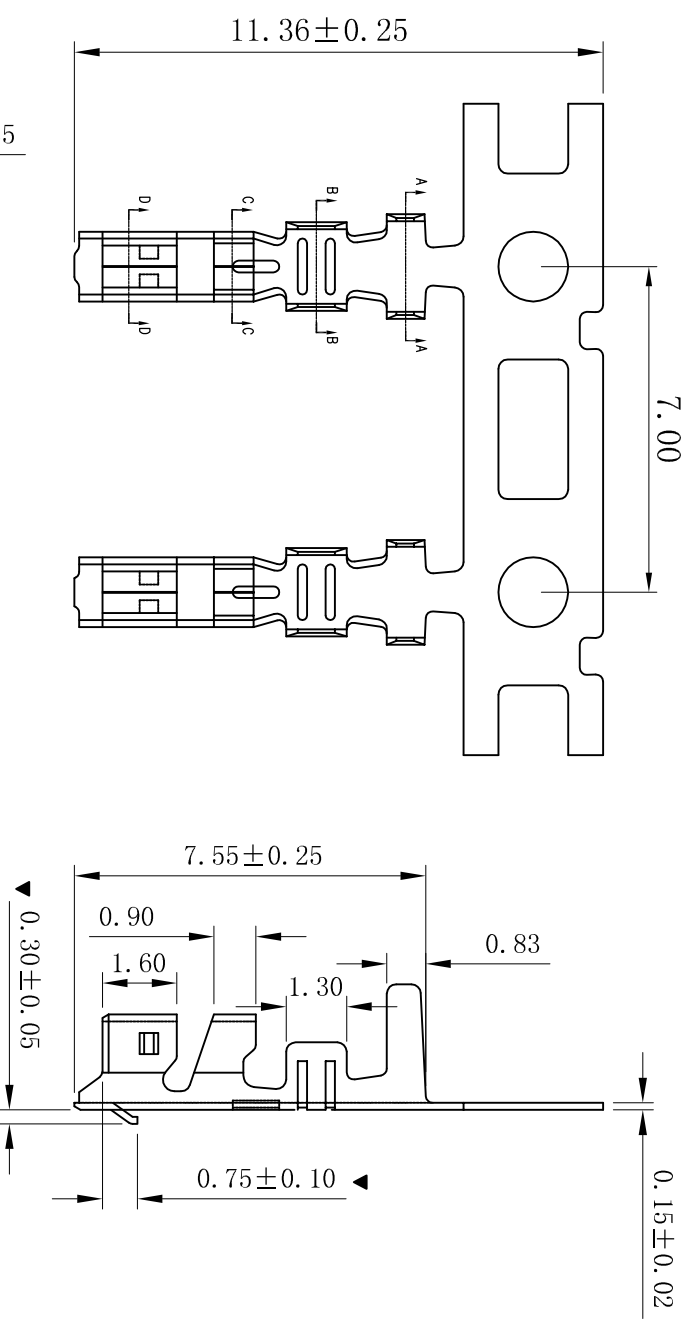
日期/DATE
 2022-02-16

日期/DATE
 2022-02-16

说明
 DESCRIPTION
 新版本

版次
 REV.
 A

ROHS



- SPECIFICATIONS
- Voltage rating: 250V AC, DC
 - Current rating: 3A, AC, DC
 - Withstanding Voltage: 800V AC/minute
 - Temperature range: -25° C~+85° C
 - Contact resistance: 15mΩ max
- TERMINAL
- Part No.: T2022PT
 - Applicable wire: AWG#22-#28
 - Material: Phosphor Bronze
 - Finish: Tin-Plated
 - The Dimension Marked “▼” Must Be Recorded

一般公差 GENERAL TOLERANCE:	0±0.30 .0±0.25 .00±0.20 .000±0.05
ANGLE: ±1°	

XYDZ® 东莞市祥运连接器有限公司
 Dongguan XiangYun Connectors CO., Ltd

投影法 Projection		第一角投影 First Angle Projection	
单位 Unit		MM	
比例/Scale		1:1	
大小/Size		A4	
页码/Sheet		1/1	
版本/Rev		A	
品名 (PART NAME)		PND 2.00mm PITCH Terminal Connector Series	
料号 (PART NO)		T2022PT	
状态码		C	
绘图/DR	陈雄军	审核/CHECK	陈雄军
批准/APPRO	胡进	日期/DATE	2022-02-16
日期/DATE	2022-02-16	承认 APPRO.	陈雄军
说明 DESCRIPTION	新版本		
版次 REV.	1		