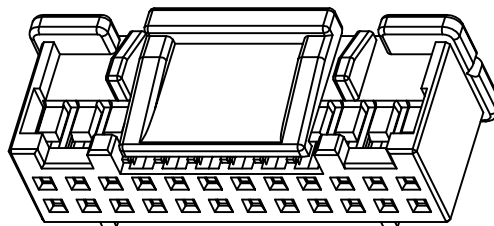
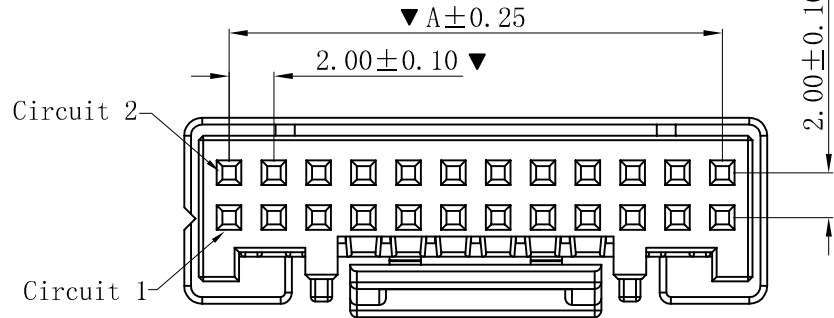


RoHS

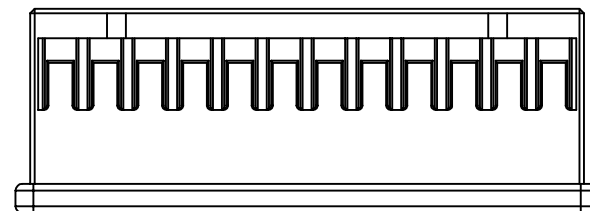
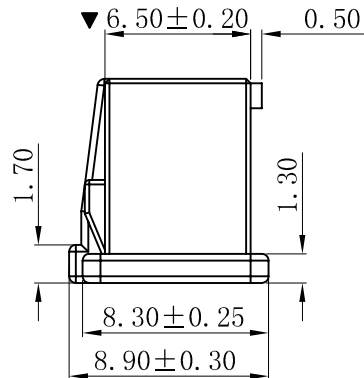
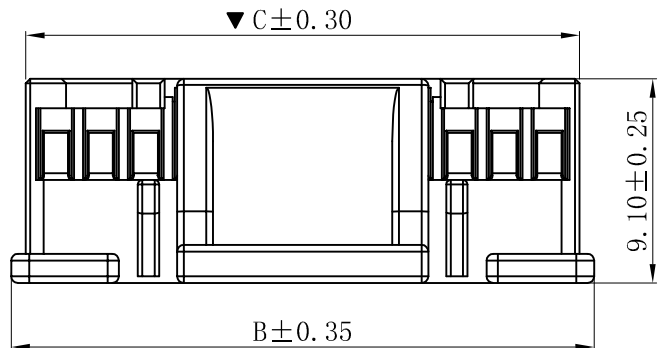


■ SPECIFICATIONS

- Voltage rating: 250V AC, DC
- Current rating: 3A, AC, DC
- Withstanding Voltage: 1500V AC/minute
- Insulation resistance: 1000MΩ min
- Temperature range: -25° C~+85° C
- Contact resistance: 15mΩ max

■ HOUSING

- Part No. : H2018-2xNP
- Poles : 08-40P
- Housing Material: PA66 UL94V-0
- The Dimension Marked “▼” Must Be Recorded



Poles	Dimensions (mm)			Poles	Dimensions (mm)		
	A	B	C		A	B	C
2x04	6.00	10.00	8.65	2x13	24.00	28.00	26.65
2x05	8.00	12.00	10.65	2x14	26.00	30.00	28.65
2x06	10.00	14.00	12.65	2x15	28.00	32.00	30.65
2x07	12.00	16.00	14.65	2x16	30.00	34.00	32.65
2x08	14.00	18.00	16.65	2x17	32.00	36.00	34.65
2x09	16.00	20.00	18.65	2x18	34.00	38.00	36.65
2x10	18.00	22.00	20.65	2x19	36.00	40.00	38.65
2x11	20.00	24.00	22.65	2x20	38.00	42.00	40.65
2x12	22.00	26.00	24.65				

一般公差
GENERAL
TOLERANCE:
0±0.30
.0±0.25
.00±0.20
.000±0.05
ANGLE: ±1°

XYDZ® 东莞市祥运连接器有限公司
Connectors DongGuan XiangYun Connectors CO.,Ltd

投影法
Projection
单位/Unit MM
比例/Scale 1:1
大小/SIZE A4
页码/SHEET 1/1
版本/Rev A

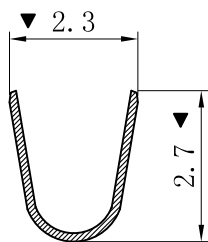
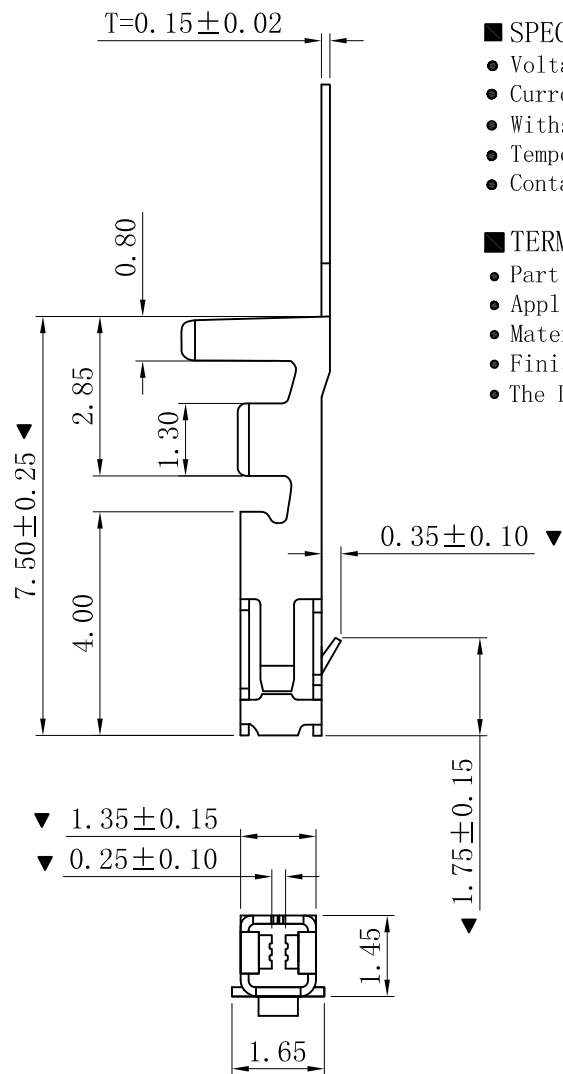
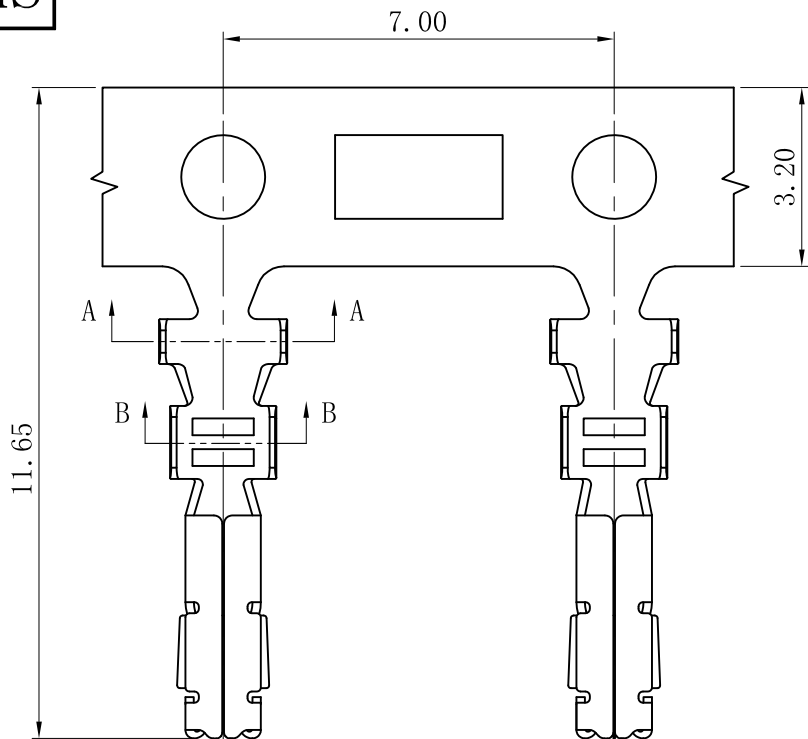
品名
(PART NAME)
PUD 2.00mm 2xNP Housing
Connector Series

料号
(PART NO)
H2018-2xNP

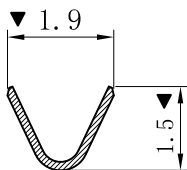
状态码
C

A	新版本	2021-12-18	陈雄军		
版次 REV.	说明 DESCRIPTION	日期 DATE.	承认 APPRO.		

RoHS



SECTION A-A



SECTION B-B

■ SPECIFICATIONS

- Voltage rating: 250V AC, DC
- Current rating: 3A, AC, DC
- Withstanding Voltage: 1500V AC/minute
- Temperature range: -25° C~+85° C
- Contact resistance: 15mΩ max

■ TERMINAL

- Part No. : T2018PT
- Applicable wire: AWG#22-#28
- Material: Phosphor Bronze
- Finish: Tin-Plated
- The Dimension Marked “▼” Must Be Recorded

▼ 1.35±0.15

▼ 0.25±0.10

▼ 1.75±0.15

一般公差
GENERAL
TOLERANCE:
0±0.30
.0±0.25
.00±0.20
.000±0.05
ANGLE: ±1°

XYDZ® 东莞市祥运连接器有限公司
Connectors DongGuan XiangYun Connectors CO.,Ltd

投影法
Projection 
单位/Unit MM
比例/Scale 1:1
大小/SIZE A4
页码/SHEET 1/1
版本/Rev D

品名
(PART NEME)
PUD 2.00mm PITCH Terminal
Connector Series

料号
(PART NO)
T2018PT
状态码
C

D	更新图面	2019-06-03	PH Duan
C	修订版本	2015-11-04	陈雄军
B	变更图宽格式内容	2013-12-27	陈雄军
A	新版本	2011-05-24	陈雄军
版次 REV.	说明 DESCRIPTION	日期 DATE.	承认 APPRO.

绘图/DR	PH Duan
审核/CHECK	陈雄军
核准/APPRO	胡进
日期/DATE	2019-06-03