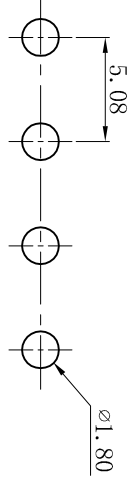
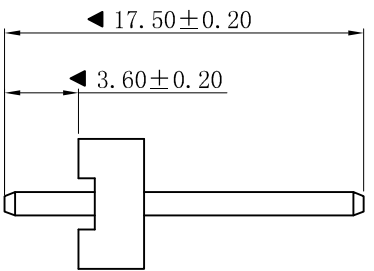
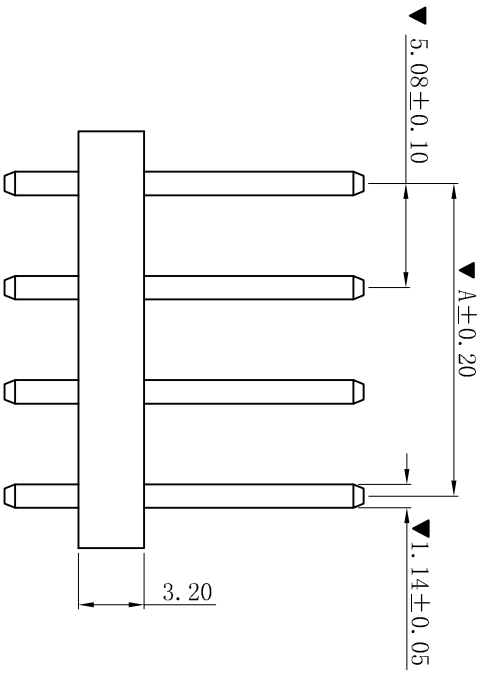
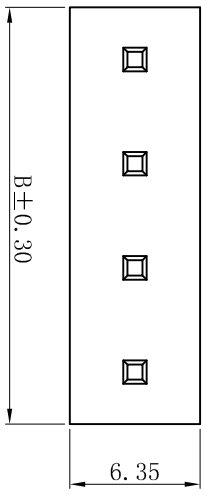


ROHS



P. C. B LAYOUT: TOP VIEW
TOLERANCE: ±0.05mm

■ SPECIFICATIONS

- Voltage rating: 250V AC, DC
- Current rating: 7A, AC, DC
- Withstanding Voltage: 1500V AC/minute
- Insulation resistance: 1000MΩ min
- Temperature range: -25° C ~ +85° C
- Contact resistance: 20mΩ max

■ WAFER

- Part No. : W5084V-NP
- Poles : 02-18P
- Housing Material: PA66 UL94V-2
- Pin Material: Brass
- Contact Area Plating: Tin-Plated
- The Dimension Marked “▼” Must Be Recorded

| Poles | Dimensions (mm) | |
|-------|-----------------|-------|
| | A | B |
| 02 | 5.08 | 10.16 |
| 03 | 10.16 | 15.24 |
| 04 | 15.24 | 20.32 |
| 05 | 20.32 | 25.40 |
| 06 | 25.40 | 30.48 |
| 07 | 30.48 | 35.56 |
| 08 | 35.56 | 40.64 |
| 09 | 40.64 | 45.72 |
| 10 | 45.72 | 50.80 |
| 11 | 50.80 | 55.88 |
| 12 | 55.88 | 60.96 |
| 13 | 60.96 | 66.04 |
| 14 | 66.04 | 71.12 |
| 15 | 71.12 | 76.20 |
| 16 | 76.20 | 81.28 |
| 17 | 81.28 | 86.36 |
| 18 | 86.36 | 91.44 |

| | | | | | | |
|----|-------------|------------|-----|----|----|------------|
| D | 更新图面 | 2019-06-03 | 陈雄军 | 承认 | 日期 | 2019-06-03 |
| C | 修打版本 | 2015-11-04 | 陈雄军 | 承认 | 日期 | 2015-11-04 |
| B | 变更图规格式内容 | 2013-12-27 | 陈雄军 | 承认 | 日期 | 2013-12-27 |
| A | 新版本 | 2011-05-24 | 陈雄军 | 承认 | 日期 | 2011-05-24 |
| H | 说明 | | | | | |
| 1 | 版次 | | | | | |
| 2 | REV. | | | | | |
| 3 | DESCRIPTION | | | | | |
| 4 | | | | | | |
| 5 | | | | | | |
| 6 | | | | | | |
| 7 | | | | | | |
| 8 | | | | | | |
| 9 | | | | | | |
| 10 | | | | | | |

XYDZ® 东莞市祥运连接器有限公司
Dongguan XiangYun Connectors CO., Ltd

投影法: 单位: MM
比例/Scale: 1:1
大小/Size: A4
页码/Sheet: 1/1
版本/Rev: D

品名 (PART NAME): 5.08mm 180° 无靠背 Wafer
料号 (PART NO): W5084V-NP
状态码: C