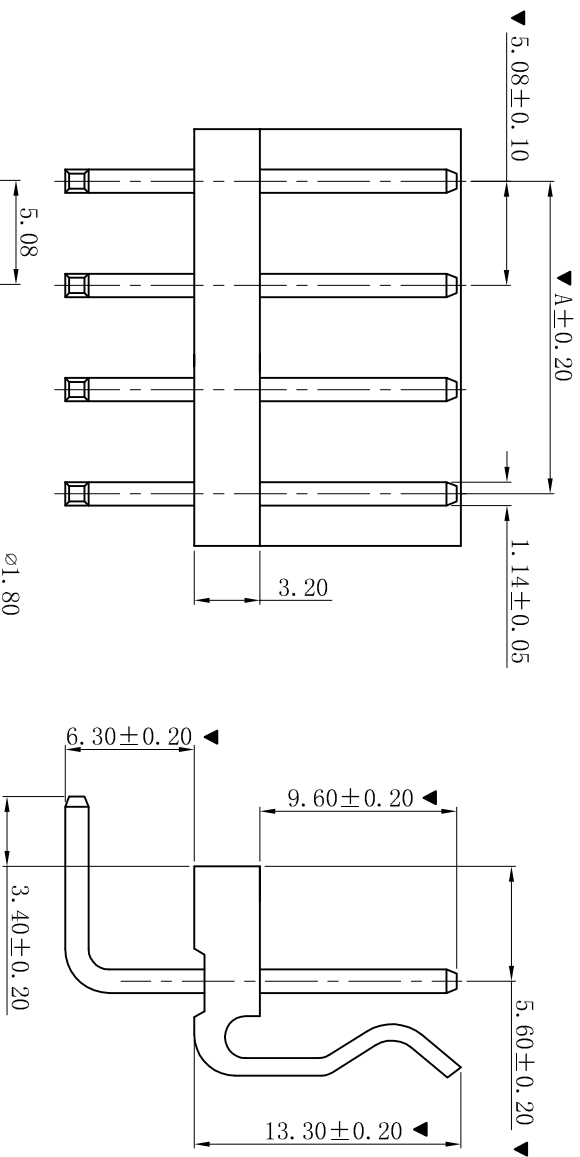
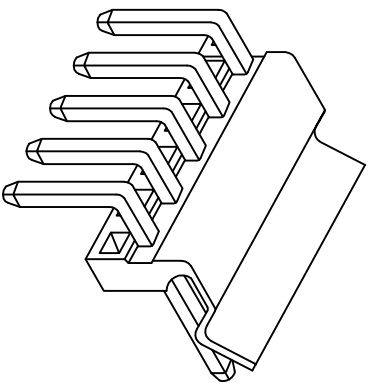
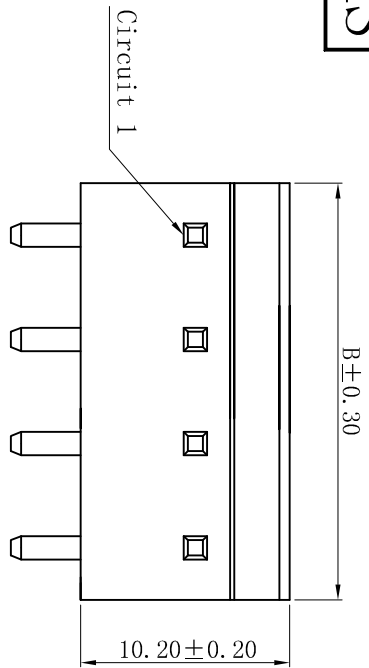


ROHS



P. C. B LAYOUT: TOP VIEW
TOLERANCE: ±0.05mm

SPECIFICATIONS

- Voltage rating: 250V AC, DC
 - Current rating: 7A, AC, DC
 - Withstanding Voltage: 1500V AC/minute
 - Insulation resistance: 1000MΩ min
 - Temperature range: -25° C ~ +85° C
 - Contact resistance: 20mΩ max
- WAFER
- Part No.: W5081WR-NP
 - Poles : 02-20P
 - Housing Material: PA66 UL94V-2
 - Pin Material: Brass
 - Contact Area Plating: Tin-Plated
 - The Dimension Marked “▼” Must Be Recorded

Poles	Dimensions(mm)	
	A	B
02	5.08	10.16
03	10.16	15.24
04	15.24	20.32
05	20.32	25.40
06	25.40	30.48
07	30.48	35.56
08	35.56	40.64
09	40.64	45.72
10	45.72	50.80
11	50.80	55.88
12	55.88	60.96
13	60.96	66.04
14	66.04	71.12
15	71.12	76.20
16	76.20	81.28
17	81.28	86.36
18	86.36	91.44
19	91.44	96.52
20	96.52	101.60

D	更新图面	2019-06-03	陈雄军	一般公差 GENERAL TOLERANCE: 0±0.30 .0±0.25 .000±0.05 ANGLE: ±1°	绘图/DR 审核/CHECK 批准/APPRO	陈雄军 胡进	日期/DATE 2019-06-03
C	修订版本	2015-11-04	陈雄军	变更图宽格式内容	日期/DATE	承认	2011-05-24
B	新版本	2013-12-27	陈雄军	说明 DESCRIPTION	日期/DATE	承认	2011-05-24
A	版次 REV.	1					

XYDZ® 东莞市祥运连接器有限公司
Dongguan XiangYun Connectors CO., Ltd

投影法 Projection	品名 (PART NAME)	料号 (PART NO)	状态码
单位 Unit MM	5.08mm 90° Wafer Connector Series	W5081WR-NP	C
比例/Scale 1:1			
大小/Size A4			
页码/SHEET 1/1			
版本/Rev D			