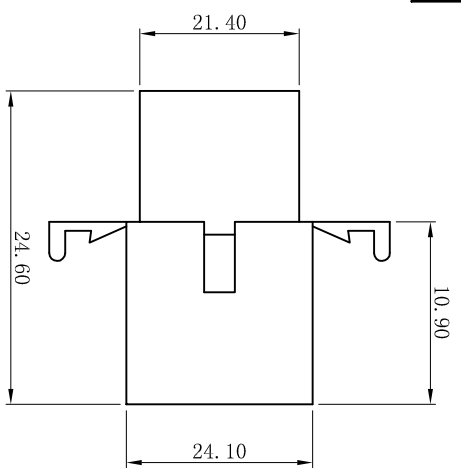
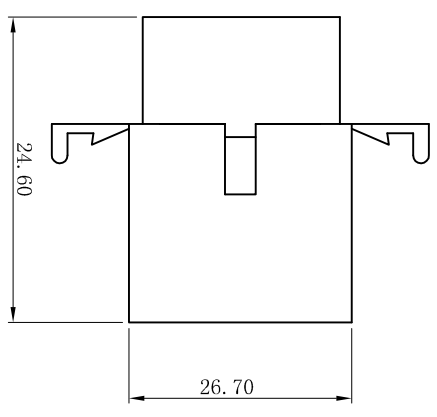
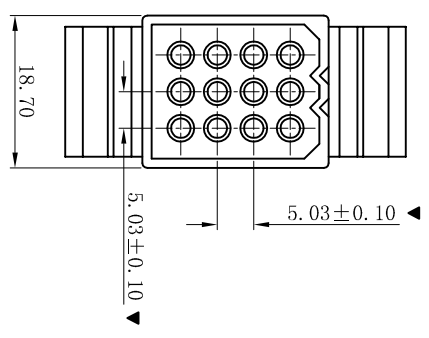


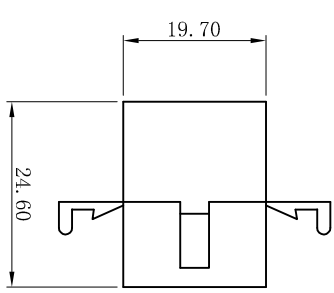
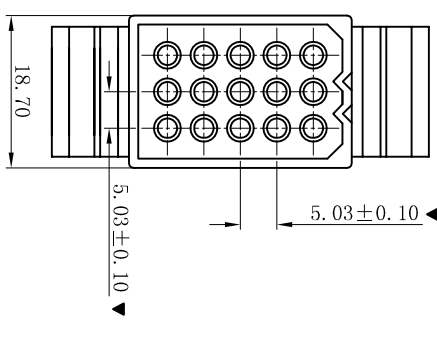
RoHS



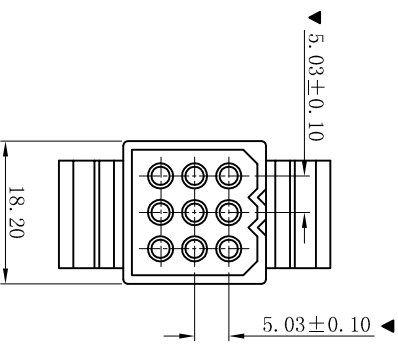
H5032-3x04P
H5032NE-3x04P



H5032-3x05P
H5032NE-3x05P



H5032-3x03P
H5032NE-3x03P



- SPECIFICATIONS
- Voltage rating: 250V AC, DC
 - Current rating: 7A, AC, DC
 - Withstanding Voltage: 1500V AC/minute
 - Insulation resistance: 1000MΩ min
 - Temperature range: -25° C~+85° C
- HOUSING
- Part No. : H5032-3xNP
 - Poles : 09-15P
 - Housing Material: PA66 UL94V-2
- The Dimension Marked “▼” Must Be Recorded

D	更新图面	2019-06-03	陈雄军
C	修订版本	2015-11-04	陈雄军
B	变更图宽格式内容	2013-12-27	陈雄军
A	新版本	2011-05-24	陈雄军
H	说明	日期	承认
1	版次	REV.	DESCRIPTION

XYDZ® 东莞市祥运连接器有限公司
Dongguan XiangYun Connectors CO., Ltd

投影法
单位 Unit: MM
比例/Scale: 1:1
大小/Size: A4
页码/Sheet: 1/1
版本/Rev: D

品名 (PART NAME): 5.03mm Female Housing Connector Series
料号 (PART NO): H5032-3xNP

一般公差 GENERAL TOLERANCE:	0±0.30 .0±0.25 .00±0.20 .000±0.05
绘图/DR	胡进
审核/CHECK	陈雄军
核准/APPRO	胡进
日期/DATE	2019-06-03

1	2	3	4	5	6	7	8	9	10
---	---	---	---	---	---	---	---	---	----