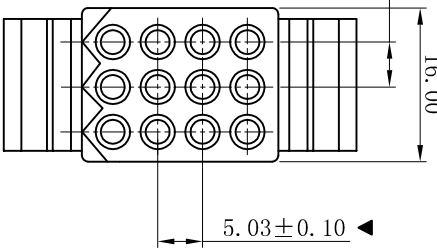
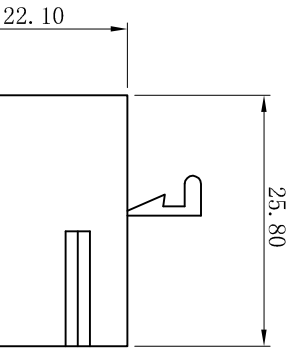


RoHS

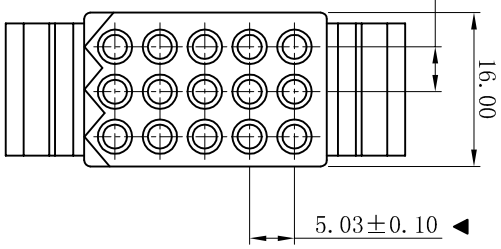
▼ 5.03±0.10
16.00



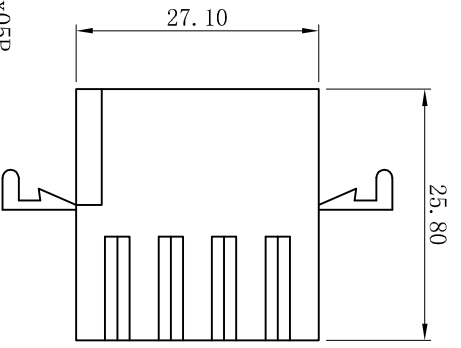
H5031-3x04P
H5031NE-3x04P



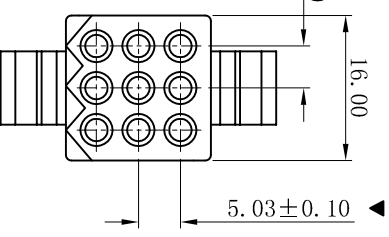
▼ 5.03±0.10
16.00



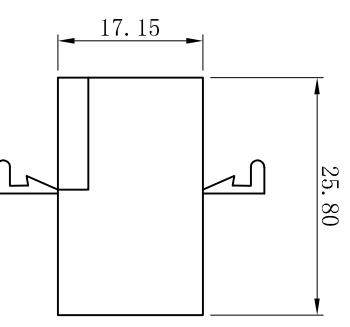
H5031-3x05P
H5031NE-3x05P



▼ 5.03±0.10
16.00



H5031-3x03P
H5031NE-3x03P



- SPECIFICATIONS
- Voltage rating: 250V AC, DC
- Current rating: 7A, AC, DC
- Withstanding Voltage: 1500V AC/minute
- Insulation resistance: 1000MΩ min
- Temperature range: -25° C~+85° C
- HOUSING
- Part No. : H5031-3xNP
- Poles : 09-15P
- Housing Material : PA66 UL94V-2
- The Dimension Marked “▼” Must Be Recorded

更新图面		2019-06-03	陈雄军	一般公差 GENERAL TOLERANCE:	0±0.30 .0±0.25 .00±0.20 .000±0.05	投影法 Projection	XYDZ® 东莞市祥运连接器有限公司 Dongguan XiangYun Connectors CO., Ltd	品名 (PART NAME)	5.03mm Male Housing Connector Series	料号 (PART NO)	H5031-3xNP	状态码 C
修打版本		2015-11-04	陈雄军	绘图/DR	ANGLE: ±1°	单位 Unit						
变更图宽格式内容		2013-12-27	陈雄军	审核/CHECK		比例/Scale	东莞市祥运连接器有限公司 Dongguan XiangYun Connectors CO., Ltd 品名 (PART NAME): 5.03mm Male Housing Connector Series 料号 (PART NO): H5031-3xNP 状态码: C					
新版本		2011-05-24	陈雄军	批准/APPRO	胡进	大小/Size						
说明		日期 DATE:	承认 APPRO.	日期/DATE	2019-06-03	页码/Sheet						
版次 RRV.		1		DESCRIPTION		版本/Rev						

1	2	3	4	5	6	7	8	9	10
---	---	---	---	---	---	---	---	---	----