

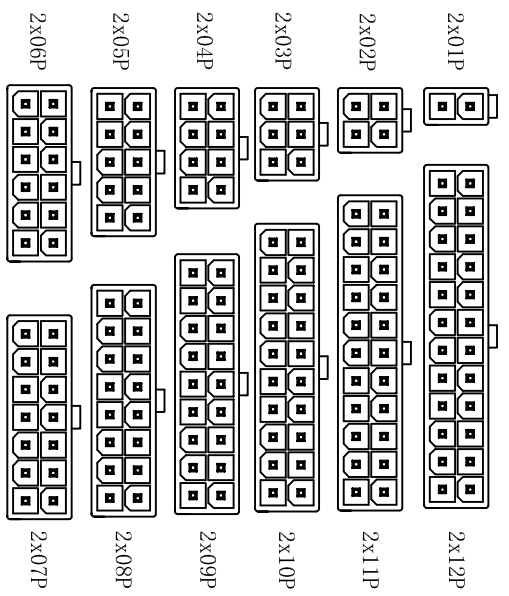
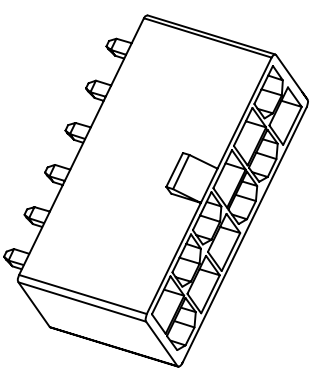
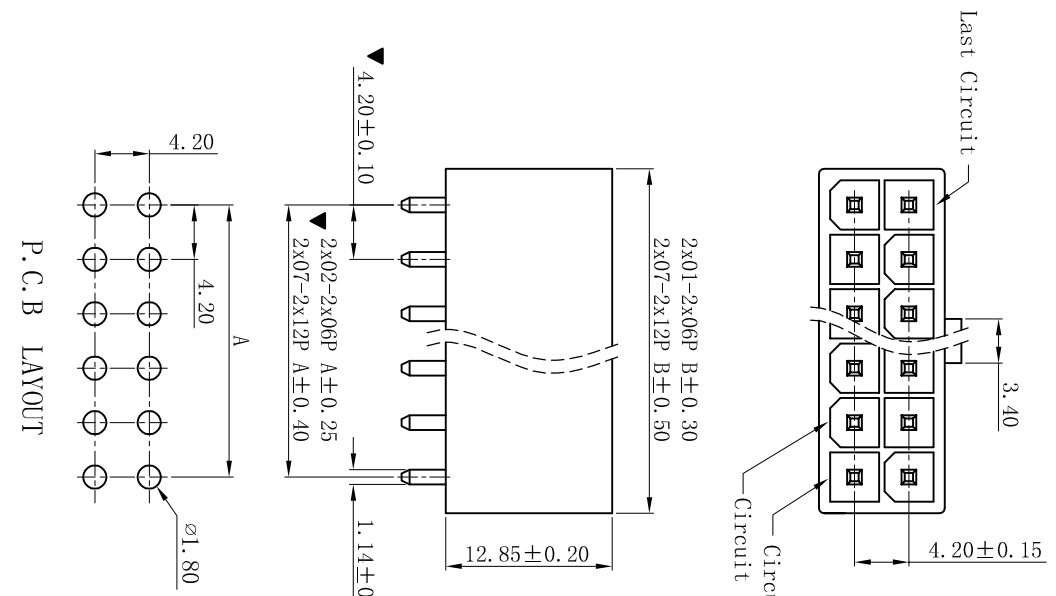
RoHS

W4202VWJG-2xNP-XX

HSG Material / Color
 None:PA66-V2 Natural
 BK:PA66-V2 Black
 V0:PA66-V0 Natural
 V0BK:PA66-V0 Black
 LP:LCP-V0 Natural
 LPBK:LCP-V0 Black
 9T:PA9T-V0 Natural
 9TBK:PA9T-V0 Black
 46:PA46-V0 Natural
 46BK:PA46-V0 Black
 6T:PA6T-V0 Natural
 6TBK:PA6T-V0 Black

Contact Finish
 None:Tin-Plated
 SW:Matte Tin-Plated
 G:Gold-Flash
 G3:3u" Gold
 G10:10u" Gold
 G15:15u" Gold
 G30:30u" Gold

- SPECIFICATIONS
- Voltage rating: 600V AC, DC
 - Current rating: 7A, AC, DC
 - Withstanding Voltage: 1500V AC/minute
 - Insulation resistance:1000MΩ min
 - Temperature range: -25°C+85°C
 - Contact resistance: 20mΩ max
- WAFER
- Part No.: W4202VWJG-2xNP-XX
 - Poles : 02-24P
 - Housing Material: PA66 UL94V-2 or UL94V-0
 - Pin Material: Brass
 - Contact Area Plating: Tin-Plated or Gold-Flash
 - PIN L=1, 14x12, 70
 - The Dimension Marked "▼" Must Be Recorded



PART NO.	Dimensions (mm)	
	A	B
2x01	--	5.60
2x02	4.20	9.80
2x03	8.40	14.00
2x04	12.60	18.20
2x05	16.80	22.40
2x06	21.00	26.60
2x07	25.20	30.80
2x08	29.40	35.00
2x09	33.60	39.20
2x10	37.80	43.40
2x11	42.00	47.60
2x12	46.20	51.80

D	更新图画	2019-07-03	陈雄军
C	修订版本	2015-11-04	陈雄军
B	变更图宽格式内容	2013-12-27	陈雄军
A	新版本	2011-05-24	陈雄军
H	版次 RRV.	说明 DESCRIPTION	日期 DATE
1	1	2	3
2	4	5	6
3	7	8	9
4	10		

XYDZ® 东莞市祥运连接器有限公司
 Dongguan XiangYun Connectors CO., Ltd

投影法
 Projection: MM

单位 Unit: MM
 比例/Scale: 1:1
 大小/Size: A4
 页码/SHEET: 1/1
 版本/New: D

品名 (PART NAME): Molex 4.20mm 180° 无筋杠
 (PART NO): W4202VWJG-2xNP-XX

料号 (PART NO): W4202VWJG-2xNP-XX

状态码: C