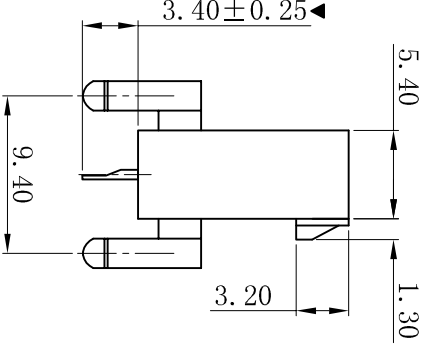
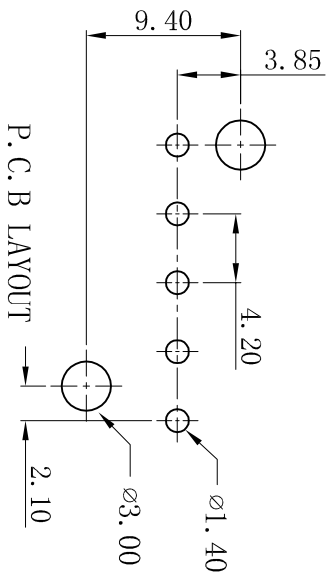
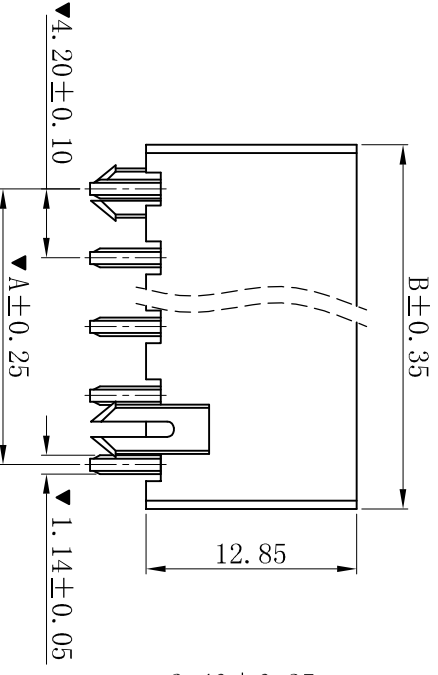
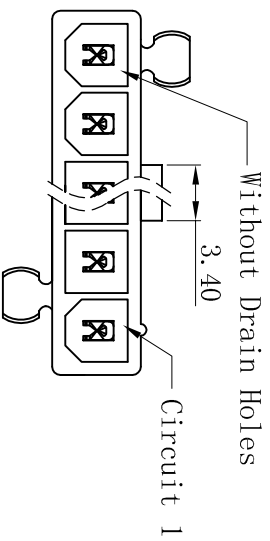


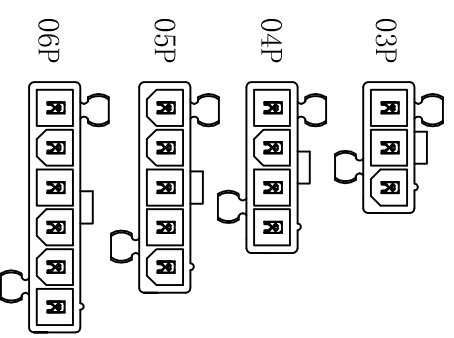
ROHS



W4202VTTDF-1xNP-XX  
 HSG Material/Color: None:PA66-V2 Natural  
 BK:PA66-V2 Black  
 V0:PA66-V0 Natural  
 V0BK:PA66-V0 Black  
 LP:LOP-V0 Natural  
 LPBK:LOP-V0 Black  
 9T:PA9T-V0 Natural  
 9TBK:PA9T-V0 Black

Contact Finish  
 None: Tin-Plated  
 SW: Matte Tin-Plated  
 G: Gold-Flash  
 G3:3u" Gold  
 G10:10u" Gold  
 G15:15u" Gold  
 G30:30u" Gold

- SPECIFICATIONS
- Voltage rating: 600V AC, DC
  - Current rating: 7A, AC, DC
  - Withstanding Voltage: 1500V AC/minute
  - Insulation resistance: 1000MΩ min
  - Temperature range: -25° C~+85° C
  - Contact resistance: 20mΩ max
- WAFER
- Part No. : W4202VTTDF-1xNP-XX
  - Poles : 03-06P
  - Housing Material: PA66 UL94V-2 or UL94V-0
  - Pin Material: Brass
  - Contact Area Plating: Tin-Plated or Gold-Flash
  - Mates With: H4201 Single row receptacle
  - The Dimension Marked "▼" Must Be Recorded



Poles	Dimensions (mm)	
	A	B
03	8.40	13.80
04	12.60	18.00
05	16.80	22.20
06	21.00	26.40

CIRCUIT SIZE LAYOUT

**XYDZ® 东莞市祥运连接器有限公司**  
 Dongguan XiangYun Connectors CO., Ltd

一般公差 GENERAL TOLERANCE:	0±0.30 .0±0.25 .00±0.20 .000±0.05
ANGLE: ±1°	

绘图/DR	PPD
审核/CHECK	陈雄军
批准/APPRO	胡进
日期/DATE	2019-07-03

投影法 Projection	品名 (PART NAME)	Mol ex 4.20mm 180° 空芯带柱无排水孔 Wafer Connector Series
单位 Unit	大小/Size	料号 (PART NO)
比例/Scale	页码/SHEET	W4202VTTDF-1xNP-XX
核准/APPRO	版本/Rev	
日期/DATE		

更新图面	2019-07-03	PPD	承认
新版本	2019-05-23	PPD	PPD
说明	日期	日期	承认
版次	REV.	DESCRIPTION	DATE

1 2 3 4 5 6 7 8 9 10