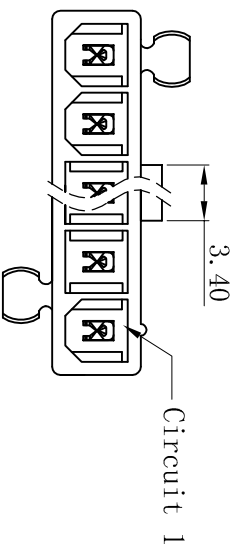
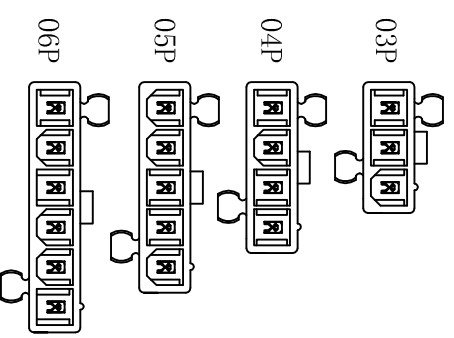
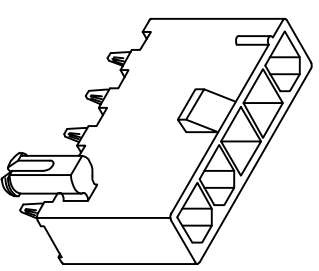
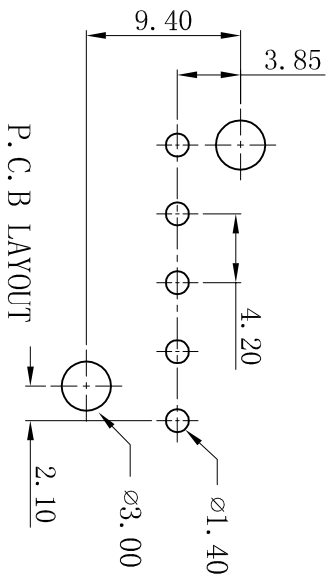
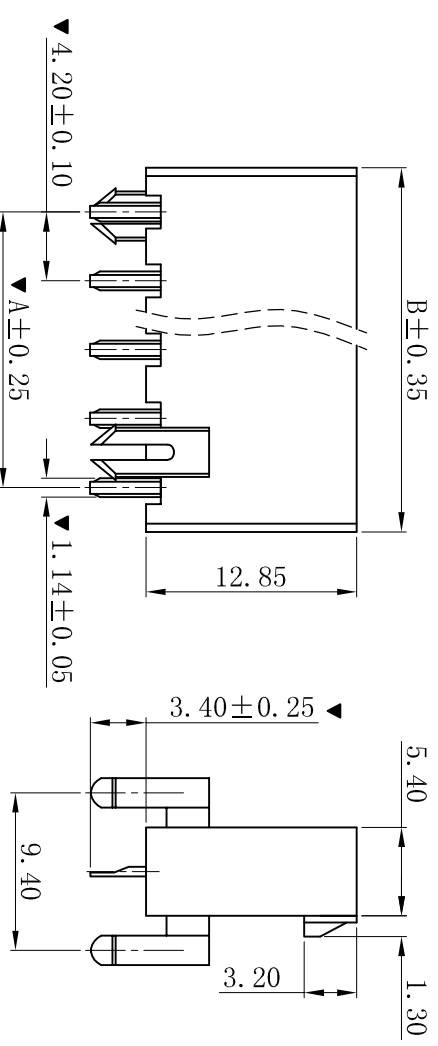


ROHS



W4202VTTD-1xNP-XX  
 HSG Material/Color  
 None: PA66-V2 Natural  
 BK: PA66-V2 Black  
 V0: PA66-V0 Natural  
 V0BK: PA66-V0 Black  
 LP: LCP-V0 Natural  
 LPBK: LCP-V0 Black  
 9T: PA9T-V0 Natural  
 9TBK: PA9T-V0 Black

Contact Finish  
 None: Tin-Plated  
 SW: Matte Tin-Plated  
 G: Gold-Flash  
 G3: 3u" Gold  
 G10: 10u" Gold  
 G15: 15u" Gold  
 G30: 30u" Gold



Poles	Dimensions (mm)	
	A	B
03	8.40	13.80
04	12.60	18.00
05	16.80	22.20
06	21.00	26.40

- SPECIFICATIONS
- Voltage rating: 600V AC, DC
  - Current rating: 7A, AC, DC
  - Withstanding Voltage: 1500V AC/minute
  - Insulation resistance: 1000MΩ min
  - Temperature range: -25° C~+85° C
  - Contact resistance: 20mΩ max
- WAFER
- Part No.: W4202VTTD-1xNP-XX
  - Poles: 03-06P
  - Housing Material: PA66 UL94V-2 or UL94V-0
  - Pin Material: Brass
  - Contact Area Plating: Tin-Plated or Gold-Flash
  - Mates With: H4201 Single row receptacle
  - The Dimension Marked "▼" Must Be Recorded

更新图面	2019-07-03	PPD	PPD
新版本	2019-05-23	PPD	PPD
说明	日期	承认	日期
版次	REV.	DESCRIPTION	1

一般公差	0±0.30
GENERAL TOLERANCE:	.00±0.25
	.000±0.05
ANGLE: ±1°	

**XYDZ® 东莞市祥运连接器有限公司**  
 Dongguan XiangYun Connectors CO., Ltd

投影法	第一角	单位	MM	比例/Scale	1:1	大小/Size	A4	页码/Sheet	1/1	版本/New	B
品名	(PART NAME)		Molex 4.20mm 180° 空芯带柱	料号	(PART NO)		W4202VTTD-1xNP-XX	状态码	C		