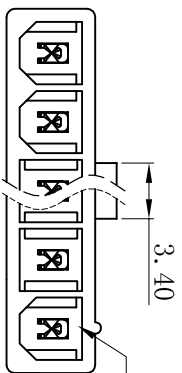


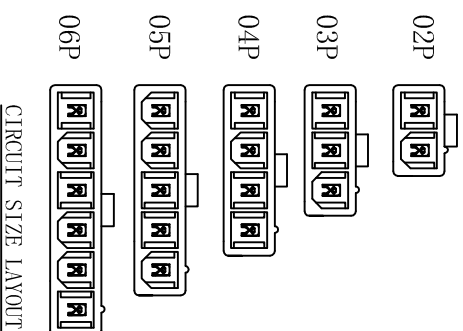
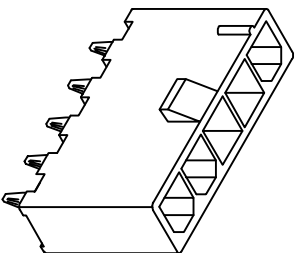
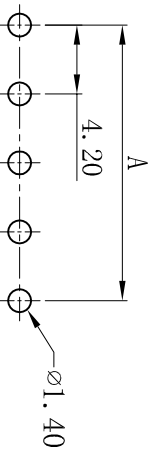
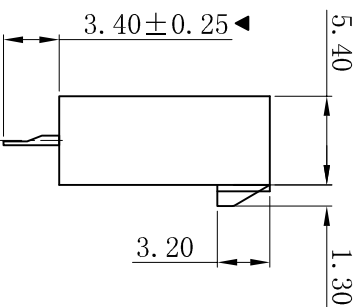
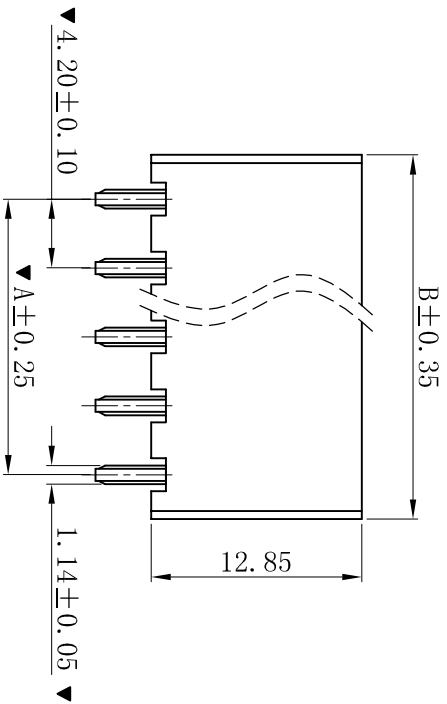
ROHS



W4202VT-1xNP-X X

HSG Material/Color  
None: PA66-V2 Natural  
BK: PA66-V2 Black  
V0: PA66-V0 Natural  
V0BK: PA66-V0 Black  
LP: LCP-V0 Natural  
LPRK: LCP-V0 Black  
9T: PA9T-V0 Natural  
9TBK: PA9T-V0 Black

Contact Finish  
None: Tin-Plated  
SW: Matte Tin-Plated  
G: Gold-Flash  
G3: 3u" Gold  
G10: 10u" Gold  
G15: 15u" Gold  
G30: 30u" Gold



Poles	Dimensions (mm)	
	A	B
02	4.20	9.60
03	8.40	13.80
04	12.60	18.00
05	16.80	22.20
06	21.00	26.40

- SPECIFICATIONS
- Voltage rating: 600V AC, DC
  - Current rating: 7A, AC, DC
  - Withstanding Voltage: 1500V AC/minute
  - Insulation resistance: 1000MΩ min
  - Temperature range: -25° C~+85° C
  - Contact resistance: 20mΩ max
- WAFER
- Part No. : W4202VT-1xNP-XX
  - Poles : 02-06P
  - Housing Material: PA66 UL94V-2 or UL94V-0
  - Pin Material: Brass
  - Contact Area Plating: Tin-Plated or Gold-Flash
  - Mates With: H4201 Single row receptacle
  - The Dimension Marked "▼" Must Be Recorded

更新图面		2019-07-03	PPD	承认	2019-07-03
新版本		2019-05-23	PPD	承认	2019-07-03
说明		日期	日期	承认	日期
DESCRPTION		DATE	DATE	APPRO.	DATE

一般公差	0±0.30
GENERAL TOLERANCE:	.00±0.25
	.000±0.05
ANGLE: ±1°	

绘图/DR	PPD
审核/CHECK	陈雄军
核准/APPRO	胡进
日期/DATE	2019-07-03

投影法	投影	品名	Molex 4.20mm 180° 空芯
单位 Unit	MM	(PART NAME)	Wafer Connector Series
比例/Scale	1:1	料号	W4202VT-1xNP-XX
大小/Size	A4	(PART NO)	
页码/SHEET	1/1	状态码	C
版本/Rev	B		

XYDZ® 东莞市祥运连接器有限公司  
Dongguan XiangYun Connectors CO., Ltd