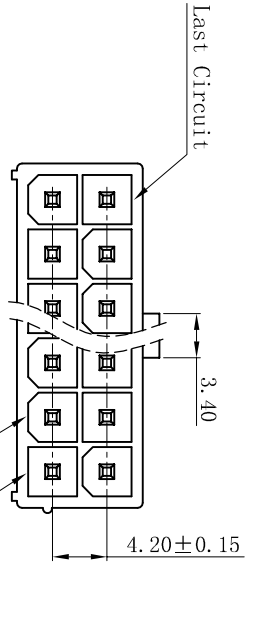


ROHS

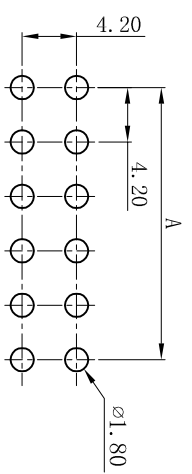
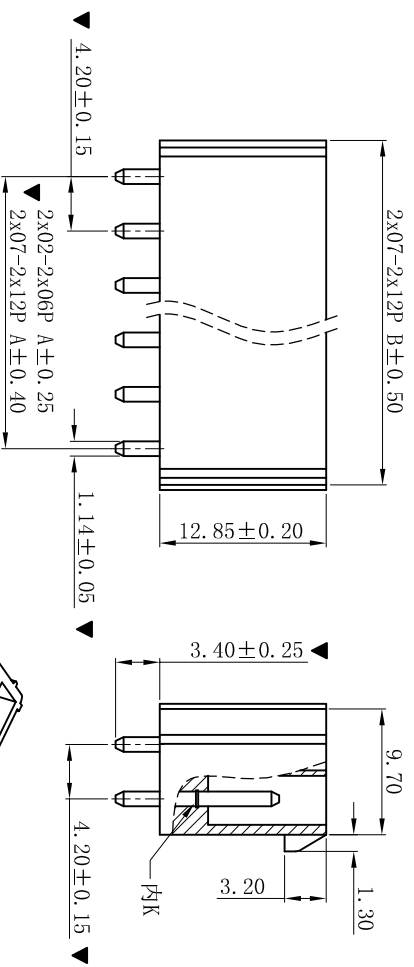
W4202VK-2xNP-XX



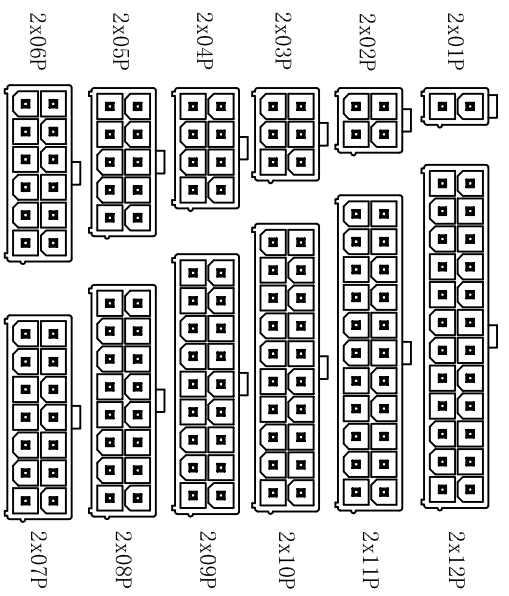
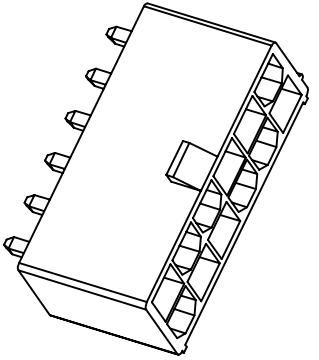
HSG Material / Color  
 None:PA66-V2 Natural  
 BK:PA66-V2 Black  
 V0:PA66-V0 Natural  
 V0BK:PA66-V0 Black  
 LP:LCP-V0 Natural  
 LPBK:LCP-V0 Black  
 9T:PA9T-V0 Natural  
 9TBK:PA9T-V0 Black  
 46:PA46-V0 Natural  
 46BK:PA46-V0 Black

Contact Finish  
 None:Tin-Plated  
 SW:Matte Tin-Plated  
 G:Gold-Flash  
 G3:3u" Gold  
 G10:10u" Gold  
 G15:15u" Gold

- SPECIFICATIONS
- Voltage rating: 600V AC, DC
  - Current rating: 9A, AC, DC
  - Withstanding Voltage: 1500V AC/minute
  - Insulation resistance:1000M $\Omega$  min
  - Temperature range: -25 $^{\circ}$ C~+85 $^{\circ}$ C
  - Contact resistance: 20m $\Omega$  max
- WAFER
- Part No. : W4202VK-2xNP-XX
  - Poles : 02-24P
  - Housing Material: PA66 UL94V-2 or UL94V-0
  - Pin Material: Brass
  - Contact Area Plating: Tin-Plated or Gold-Flash
  - PIN L=1.14x12.70
- The Dimension Marked "▲" Must Be Recorded



P. C. B LAYOUT



CIRCUIT SIZE LAYOUT

PART NO.	Dimensions (mm)	
	A	B
2x01	--	5.60
2x02	4.20	9.80
2x03	8.40	14.00
2x04	12.60	18.20
2x05	16.80	22.40
2x06	21.00	26.60
2x07	25.20	30.80
2x08	29.40	35.00
2x09	33.60	39.20
2x10	37.80	43.40
2x11	42.00	47.60
2x12	46.20	51.80

XYDZ<sup>®</sup> 东莞市祥运连接器有限公司  
 Dongguan XiangYun Connector's CO., Ltd

一般公差  
 GENERAL TOLERANCE:  
 0±0.30  
 .0±0.25  
 .00±0.20  
 .000±0.05  
 ANGLE: ±1 $^{\circ}$

更新图面

修订版本

变更图宽格式内容

新版本

说明

DESCRIPTION

版次

REV.

更新图面	修订版本	变更图宽格式内容	新版本	说明	DESCRIPTION	版次	REV.
2019-07-03							
2015-11-04	陈雄军						
2013-12-27	陈雄军						
2011-05-24	陈雄军						
	承认						
	APPRO.						

投影法	品名	料号	状态码
第一角	Molex 4.20mm 180 $^{\circ}$ Wafer Connector Series	W4202VK-2xNP-XX	C

1 2 3 4 5 6 7 8 9 10