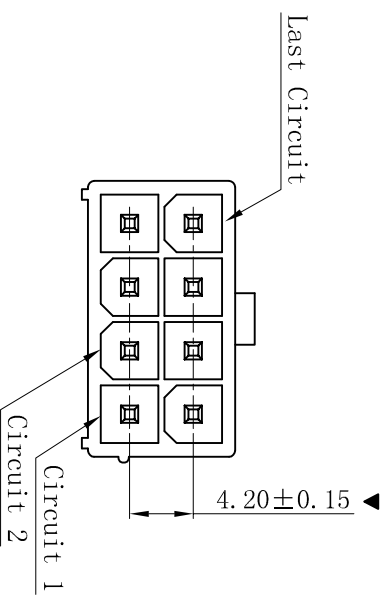


ROHS

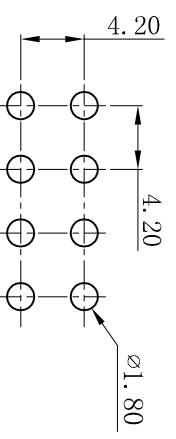
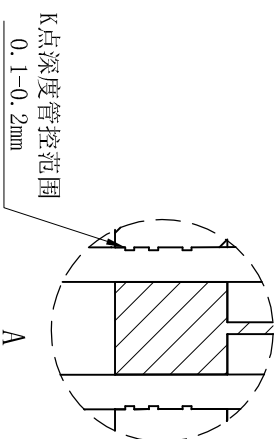
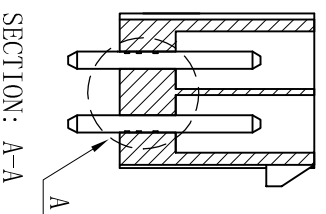
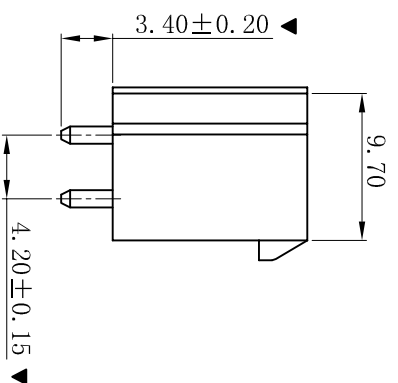
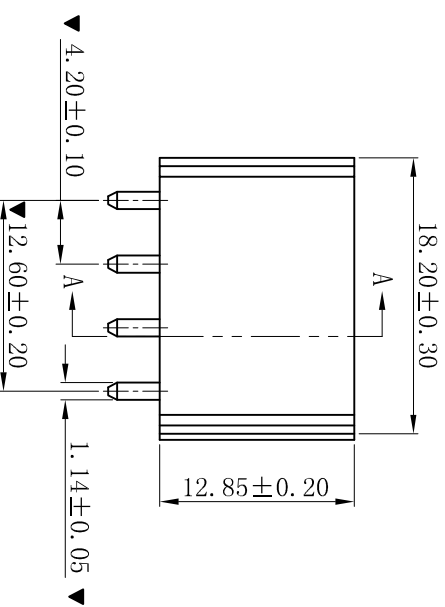


W4202VK-2x04P-XX X

HSG Material/Color  
 None:PA66-V2 Natural  
 BK:PA66-V2 Black  
 V0:PA66-V0 Natural  
 V0BK:PA66-V0 Black  
 LP:LCP-V0 Natural  
 LPBK:LCP-V0 Black  
 9T:PA9T-V0 Natural  
 9TBK:PA9T-V0 Black

Contact Finish  
 None: Tin-Plated  
 SW: Matte Tin-Plated  
 G: Gold-Flash  
 G3: 3u" Gold  
 G10: 10u" Gold  
 G15: 15u" Gold

- SPECIFICATIONS
- Voltage rating: 600V AC, DC
  - Current rating: 7A, AC, DC
  - Withstanding Voltage: 1500V AC/minute
  - Insulation resistance: 1000MΩ min
  - Temperature range: -25°C ~ +85°C
  - Contact resistance: 20mΩ max
- WAFER
- Part No.: W4202VK-2x04P-XX
  - Poles: 08P
  - Housing Material: PA66 UL94V-2 or UL94V-0
  - Pin Material: Brass
  - Contact Area Plating: Tin-Plated or Gold-Flash
  - The Dimension Marked "▼" Must Be Recorded



P.C.B LAYOUT

D	更新图档	2019-07-03	陈雄军	一般公差 GENERAL TOLERANCE:	0±0.30 .0±0.25 .00±0.20 .000±0.05
C	修订版本	2015-11-04	陈雄军	绘图/DR	陈雄军
B	变更图宽格式内容	2013-12-27	陈雄军	审核/CHECK	陈雄军
A	新版本	2011-05-24	陈雄军	批准/APPRO	胡进
H	版次 REV.	说明 DESCRIPTION	日期 DATE	承认 APPRO.	日期/DATE
1					2019-07-03

**XYDZ® 东莞市祥运连接器有限公司**  
 Dongguan XiangYun Connectors CO., Ltd

投影法  
 Projection Unit: MM  
 单位 Unit: MM  
 比例/Scale: 1:1  
 大小/Size: A4  
 页码/Sheet: 1/1  
 版本/Rev: D

品名 (PART NAME): Molex 4.20mm 180° Wafer Connector Series  
 料号 (PART NO): W4202VK-2x04P-XX  
 状态码: C