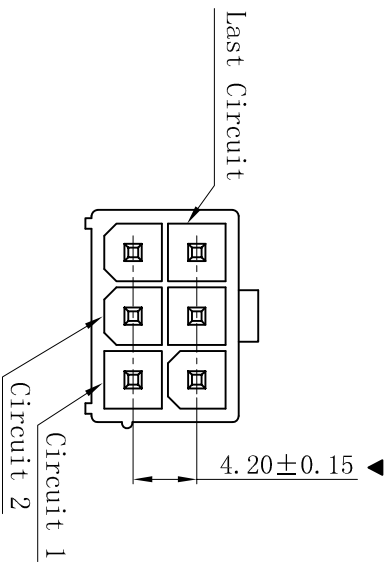


RoHS

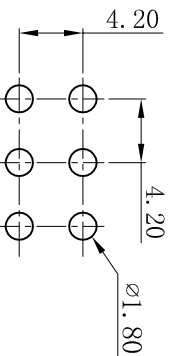
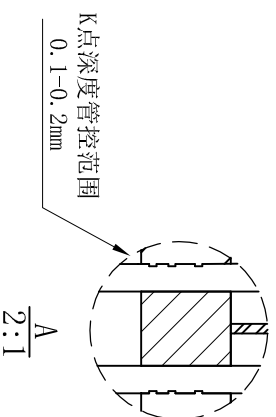
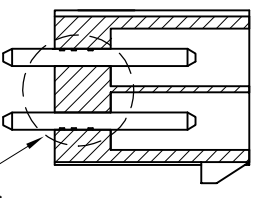
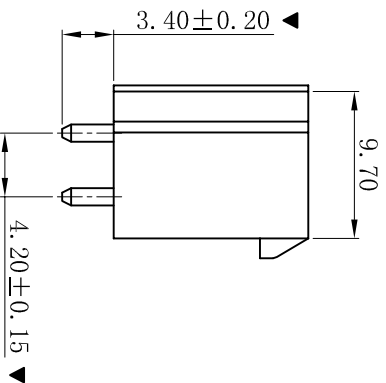
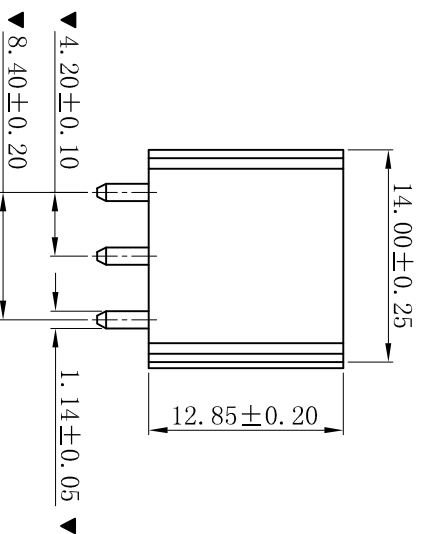


W4202YK-2x03P-XX X

HSG Material/Color
 None: PA66-V2 Natural
 BK: PA66-V2 Black
 V0: PA66-V0 Natural
 V0BK: PA66-V0 Black
 LP: LCP-V0 Natural
 LPBK: LCP-V0 Black
 9T: PA9T-V0 Natural
 9T BK: PA9T-V0 Black

Contact Finish
 None: Tin-Plated
 SW: Matte Tin-Plated
 G: Gold-Flash
 G3: 3u" Gold
 G10: 10u" Gold
 G15: 15u" Gold

- SPECIFICATIONS
- Voltage rating: 600V AC, DC
 - Current rating: 7A, AC, DC
 - Withstanding Voltage: 1500V AC/minute
 - Insulation resistance: 1000MΩ min
 - Temperature range: -25° C~+85° C
 - Contact resistance: 20mΩ max
- WAFER
- Part No.: W4202YK-2x03P-XX
 - Poles: 06P
 - Housing Material: PA66 UL94V-2 or UL94V-0
 - Pin Material: Brass
 - Contact Area Plating: Tin-Plated or Gold-Flash
 - The Dimension Marked "▼" Must Be Recorded



P.C.B LAYOUT

D	更新图档	2019-07-03	陈雄军
C	修订版本	2015-11-04	陈雄军
B	变更图宽格式内容	2013-12-27	陈雄军
A	新版本	2011-05-24	陈雄军
H	说明	日期	承认
1	版次	REV.	DESCRIPTION

一般公差	±0.30
GENERAL TOLERANCE:	.00±0.25
	.000±0.20
	.000±0.05
ANGLE: ±1°	
绘图/DR	陈雄军
审核/CHECK	陈雄军
核准/APPRO	胡进
日期/DATE	2019-07-03

XYDZ® 东莞市祥运连接器有限公司
 Dongguan XiangYun Connectors CO., Ltd

投影法
 Projection
 单位 Unit
 MM
 比例/Scale
 1:1
 大小/Size
 A4
 页码/Sheet
 1/1
 版本/Rev
 D

品名
 (PART NAME)
 Molex 4.20mm 180° Wafer
 Connector Series

料号
 (PART NO)
 W4202YK-2x03P-XX

状态码
 C