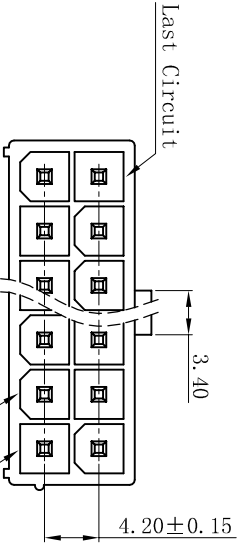


ROHS

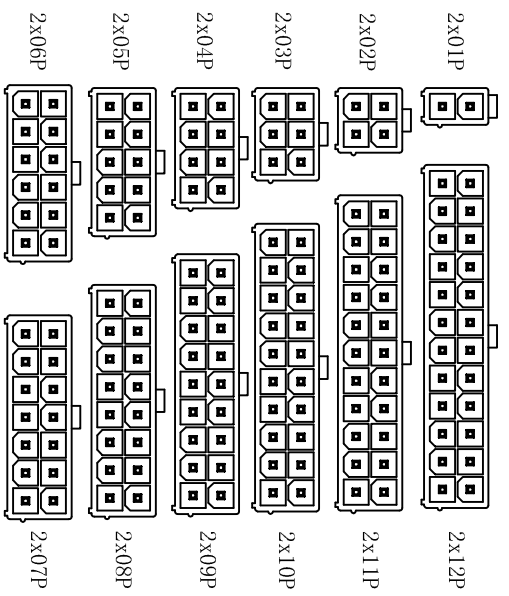
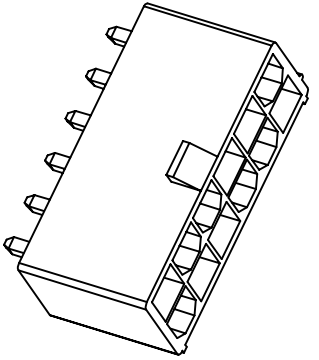
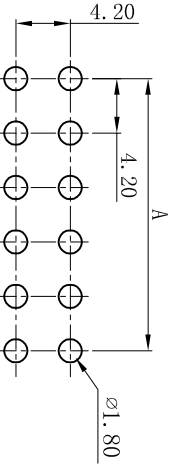
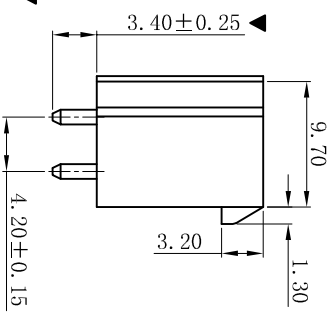
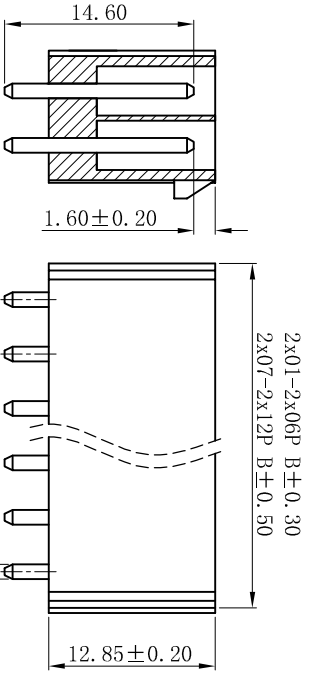
W4202V-2xNP-X X-ZP1.6



HSG Material / Color  
 None:PA66-V2 Natural  
 BK:PA66-V2 Black  
 VO:PA66-V0 Natural  
 VOBK:PA66-V0 Black  
 LP:LCP-V0 Natural  
 LPPBK:LCP-V0 Black  
 9T:PA9T-V0 Natural  
 9TJBK:PA9T-V0 Black

Contact Finish  
 None:Tin-Plated  
 SW:Matte Tin-Plated  
 G:Gold-Flash  
 G3:3u" Gold  
 G10:10u" Gold  
 G15:15u" Gold

- SPECIFICATIONS
- Voltage rating: 600V AC, DC
  - Current rating: 7A, AC, DC
  - Withstanding Voltage: 1500V AC/minute
  - Insulation resistance:1000M $\Omega$  min
  - Temperature range: -25 $^{\circ}$ C~+85 $^{\circ}$ C
  - Contact resistance: 20m $\Omega$  max
- WAFER
- Part No.: W4202V-2xNP-XX-ZP1.6
  - Poles : 02-24P
  - Housing Material: PA66 UL94V-2 or UL94V-0
  - Pin Material: Brass
  - Contact Area Plating: Tin-Plated or Gold-Flash
  - PIN L=1, 14x14.60
  - The Dimension Marked "▲" Must Be Recorded



PART NO.	Dimensions (mm)	
	A	B
2x01	--	5.60
2x02	4.20	9.80
2x03	8.40	14.00
2x04	12.60	18.20
2x05	16.80	22.40
2x06	21.00	26.60
2x07	25.20	30.80
2x08	29.40	35.00
2x09	33.60	39.20
2x10	37.80	43.40
2x11	42.00	47.60
2x12	46.20	51.80

P.C.B LAYOUT

CIRCUIT SIZE LAYOUT

XYDZ<sup>®</sup> 东莞市祥运连接器有限公司  
 Dongguan XiangYun Connectors CO., Ltd

Connectors

Molex 4.20mm 180 $^{\circ}$  Wafer  
 Connector Series



投影法  
Projection

单位 Unit  
MM

比例/Scale  
1:1

大小/Size  
A4

页码/Sheet  
1/1

版本/Rev  
D

品名  
(PART NAME)

料号  
(PART NO)

状态码

更新图面  
2019-07-03  
陈雄军

修订版本  
2015-11-04  
陈雄军

变更图宽格式内容  
2013-12-27  
陈雄军

新版本  
2011-05-24  
陈雄军

说明  
DESCRPTION

承认  
APPRO.

日期  
DATE

公差  
GENERAL TOLERANCE:  
0±0.30  
-0.0±0.25  
.00±0.20  
.000±0.05  
ANGLE: ±1 $^{\circ}$

审核/CHECK  
陈雄军

批准/APPRO  
胡进

日期/DATE  
2019-07-03

版次  
REV.

1

2

3

4

5

6

7

8

9

10