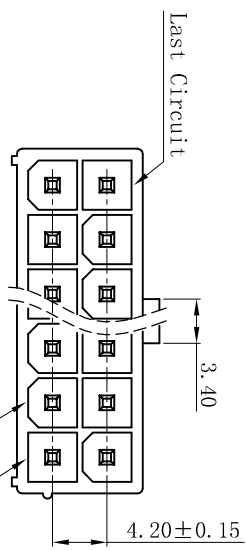


ROHS

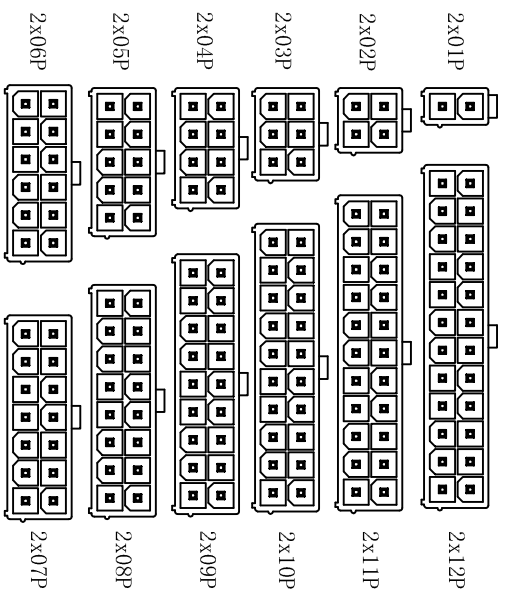
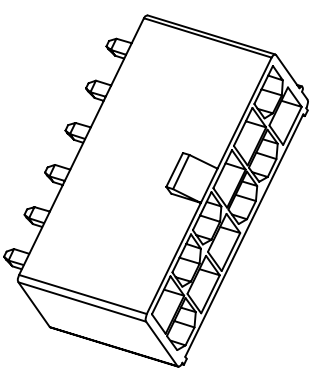
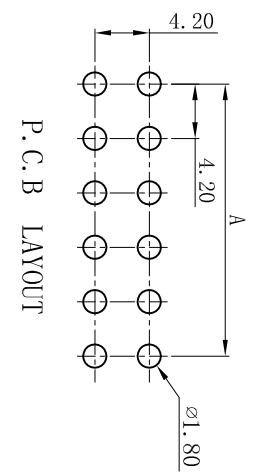
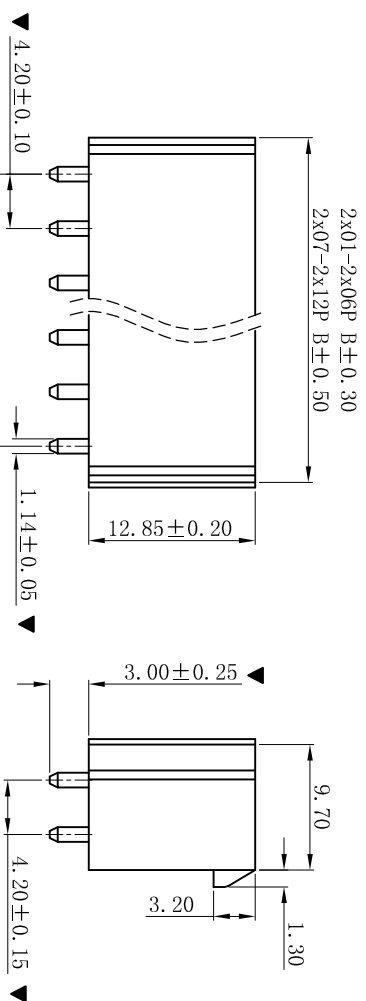
W4202V-2xNP-X X-WL3.0



HSG Material / Color
None:PA66-V2 Natural
BK:PA66-V2 Black
VO:PA66-V0 Natural
VOBK:PA66-V0 Black
LP:LCP-V0 Natural
LPPBK:LCP-V0 Black
9T:PA9T-V0 Natural
9T BK:PA9T-V0 Black

Contact Finish
None:Tin-Plated
SW:Matte Tin-Plated
G:Gold-Flash
G3:3u" Gold
G10:10u" Gold
G15:15u" Gold

- SPECIFICATIONS
- Voltage rating: 600V AC, DC
 - Current rating: 7A, AC, DC
 - Withstanding Voltage: 1500V AC/minute
 - Insulation resistance:1000MΩ min
 - Temperature range: -25 °C~+85 °C
 - Contact resistance: 20mΩ max
- WAFER
- Part No.: W4202V-2xNP-XX-WL3.0
 - Poles : 02-24P
 - Housing Material: PA66 UL94V-2 or UL94V-0
 - Pin Material: Brass
 - Contact Area Plating: Tin-Plated or Gold-Flash
 - PIN L=1, 14x12.30
 - The Dimension Marked "▲" Must Be Recorded



PART NO.	Dimensions (mm)	
	A	B
2x01	--	5.60
2x02	4.20	9.80
2x03	8.40	14.00
2x04	12.60	18.20
2x05	16.80	22.40
2x06	21.00	26.60
2x07	25.20	30.80
2x08	29.40	35.00
2x09	33.60	39.20
2x10	37.80	43.40
2x11	42.00	47.60
2x12	46.20	51.80

CIRCUIT SIZE LAYOUT

XYDZ® 东莞市祥运连接器有限公司
Dongguan XiangYun Connector's CO., Ltd

一般公差 GENERAL TOLERANCE:	0±0.30 -0.0±0.25 .000±0.05
角度: ±1°	ANGLE: ±1°

投影法: 单位: MM

品名: Molex 4.20mm 180° Wafer
Connector Series

料号: W4202V-2xNP-XX-WL3.0
状态码: C

D	更新图面	2019-07-03	陈雄军	承认	日期	2019-07-03
C	修订版本	2015-11-04	陈雄军	承认	日期	2015-11-04
B	变更图宽格式内容	2013-12-27	陈雄军	承认	日期	2013-12-27
A	新版本	2011-05-24	陈雄军	承认	日期	2011-05-24
H	说明					
1	版次					
2	REV.					
3	DESCRIPTION					
4						
5						
6						
7						
8						
9						
10						