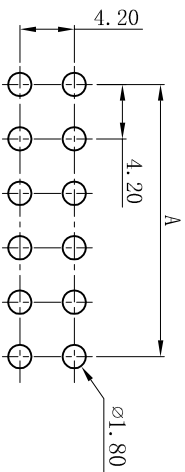
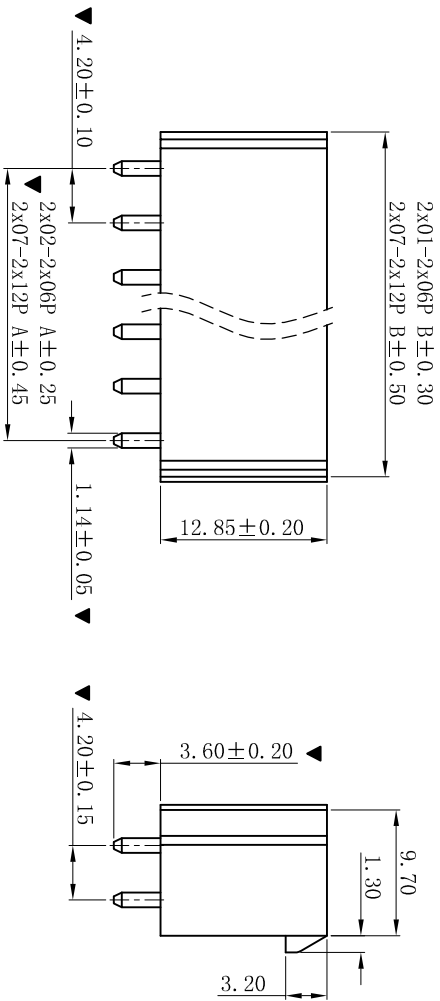
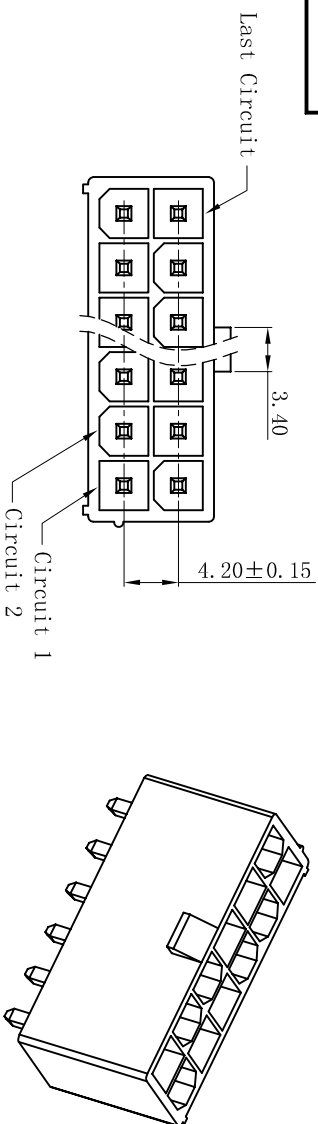


ROHS



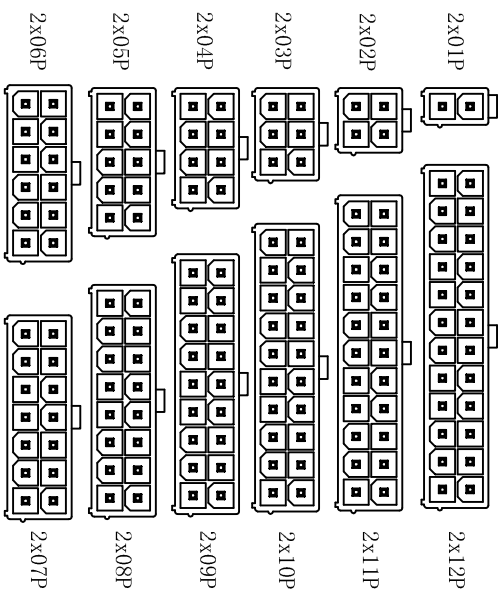
P. C. B LAYOUT

■ SPECIFICATIONS

- Voltage rating: 600V AC, DC
- Current rating: 7A, AC, DC
- Withstanding Voltage: 1500V AC/minute
- Insulation resistance: 1000MΩ min
- Temperature range: -25° C~+85° C
- Contact resistance: 20mΩ max

■ WAFER

- Part No.: W4202V-2xNP-VOMENBGW-WL3.6
- Poles : 02-24P
- Housing Material: PA66 UL94V-0 White, GWT: 750° C
- Pin Material: Brass
- Contact Area Plating: Tin-Plated
Nickel: 50u" Min, Tin: 100u" Min
- PIN L=1.14X12.70
- The Dimension Marked "▲" Must Be Recorded



CIRCUIT SIZE LAYOUT

PART NO.	Dimensions (mm)	
	A	B
2x01	--	5.60
2x02	4.20	9.80
2x03	8.40	14.00
2x04	12.60	18.20
2x05	16.80	22.40
2x06	21.00	26.60
2x07	25.20	30.80
2x08	29.40	35.00
2x09	33.60	39.20
2x10	37.80	43.40
2x11	42.00	47.60
2x12	46.20	51.80

一般公差 GENERAL TOLERANCE:	0±0.30 .00±0.25 .000±0.05
ANGLE: ±1°	

XYDZ® 东莞市祥运连接器有限公司
Dongguan XiangYun Connectors CO., Ltd

绘图/DR	陈雄军	品名	Molex 4.20mm 180° Wafer
审核/CHECK	胡进	(PART NAME)	Connector Series
批准/APPRO		料号	W4202V-2xNP-VOMENBGW-WL3.6
日期/DATE	2019-06-29	页码/SHEET	1/1
日期/DATE	2019-06-29	版本/Rev	A

版次 REV.	1	说明 DESCRIPTION	新版本	日期 DATE	2019-06-29	承认 APPRO.	状态码
	2						C
	3						
	4						
	5						
	6						
	7						
	8						
	9						
	10						