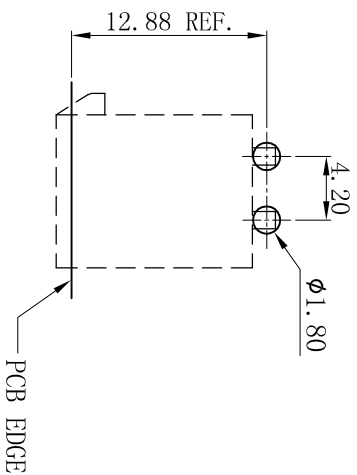
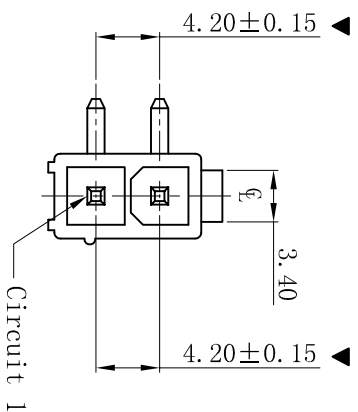
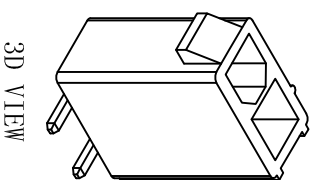
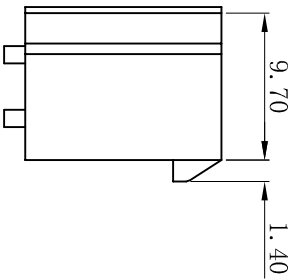
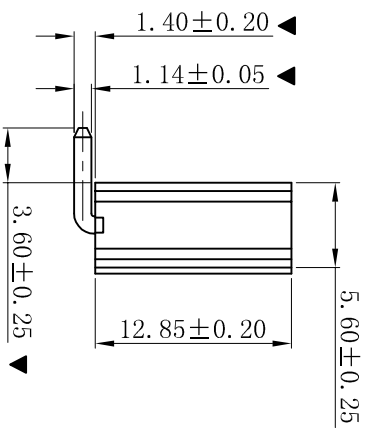


RoHS



P.C.B LAYOUT: TOP VIEW  
TOLERANCE: ±0.05mm



■ SPECIFICATIONS

- Voltage rating: 600V AC, DC
  - Current rating: 7A, AC, DC
  - Withstanding Voltage: 1500V AC/minute
  - Insulation resistance: 1000MΩ min
  - Temperature range: -25° C~+85° C
  - Contact resistance: 20mΩ max
- WAFER
- Part No. : W4202V-2x01P-CWL3.6
  - Poles : 02P
  - Housing Material: PA66 UL94V-2
  - Pin Material: Brass
  - Contact Area Plating: Tin-Plated
  - Mates With: H4201 dual row receptacle
  - The Dimension Marked “▲” Must Be Recorded

更新图面		2019-07-03	PPZ, Duwan	一般公差 GENERAL TOLERANCE:		0±0.30 .0±0.25 .00±0.20 .000±0.05	投影法 Projection		品名 (PART NAME)		Molex 4.20mm 90° 侧插弯脚 Wafer Connector Series	
新版本		2018-09-27	PPZ, Duwan	ANGLE: ±1°			单位 Unit		料号 (PART NO)		W4202R-2x01P-CWL3.6	
说明 DESCRIPTION		日期 DATE	承认 APPRO.	审核/CHECK			比例/Scale		状态码		C	
版次 REV.		1		核准/APPRO			大小/Size		A4			
		2		日期/DATE		2019-07-03	页码/Sheet		1/1			
		3		日期/DATE		2019-07-03	版本/Rev		B			
		4										
		5										
		6										
		7										
		8										
		9										
		10										

**XYDZ® 东莞市祥运连接器有限公司**  
Dongguan XiangYun Connectors CO., Ltd