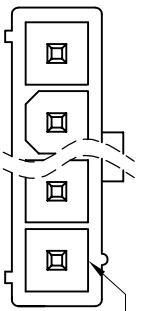


# RoHS



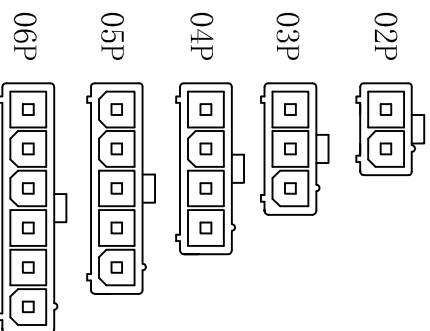
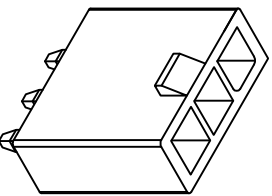
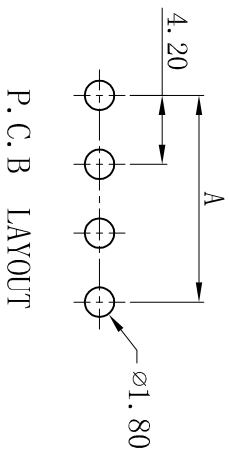
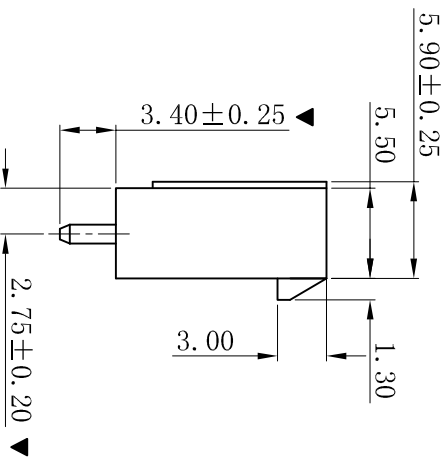
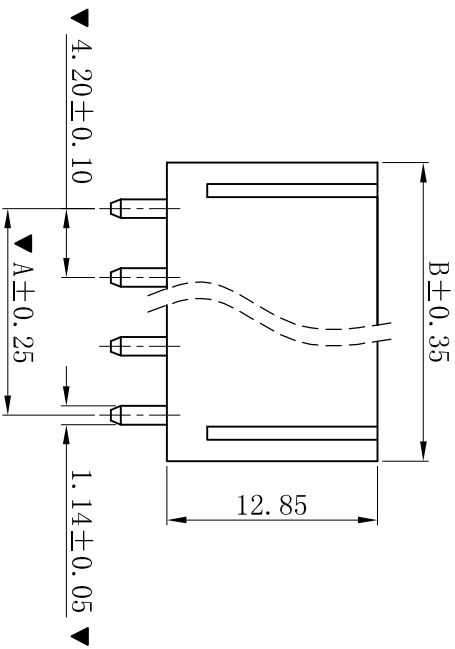
Circuit 1

W4202V-1xNP-XX

HSG Material/Color  
None: PA66-V2 Natural  
BK: PA66-V2 Black  
V0: PA66-V0 Natural  
V0BK: PA66-V0 Black  
LP: LCP-V0 Natural  
LPBK: LCP-V0 Black  
9T: PA9T-V0 Natural  
9TBK: PA9T-V0 Black

Contact Finish  
None: Tin-Plated  
SW: Matte Tin-Plated  
G: Gold-Flash  
G3: 3u" Gold  
G10: 10u" Gold  
G15: 15u" Gold  
G30: 30u" Gold

- SPECIFICATIONS
- Voltage rating: 600V AC, DC
  - Current rating: 7A, AC, DC
  - Withstanding Voltage: 1500V AC/minute
  - Insulation resistance: 1000MΩ min
  - Temperature range: -25° C~+85° C
  - Contact resistance: 20mΩ max
- WAFER
- Part No. : W4202V-1xNP-XX
  - Poles : 02-06P
  - Housing Material: PA66 UL94V-2 or UL94V-0
  - Pin Material: Brass
  - Contact Area Plating: Tin-Plated or Gold-Flash
  - Mates With: H4201 Single row receptacle
  - The Dimension Marked "▼" Must Be Recorded



Poles	Dimensions (mm)	
	A	B
02	4.20	9.80
03	8.40	14.00
04	12.60	18.20
05	16.80	22.40
06	21.00	26.60

CIRCUIT SIZE LAYOUT

一般公差 GENERAL TOLERANCE:	0±0.30 .0±0.25 .000±0.05
角度: ±1°	

CONNECTORS

Dongguan XiangYun Connectors Co., Ltd

XYDZ® 东莞市祥运连接器有限公司

更新图面  
2019-07-03

品名  
Molex 4.20mm 180° Wafer  
Connector Series

料号  
W4202V-1xNP-XX

审核/CHKC  
2019-05-23

单位 Unit  
MM

状态码  
C

日期/DATE  
2019-07-03

比例/Scale  
1:1

版本号  
A

日期/DATE  
2019-05-23

大小/Size  
A4

版本号  
A

日期/DATE  
2019-07-03

页码/Sheet  
1/1

版本号  
A

状态码  
C

状态码  
C