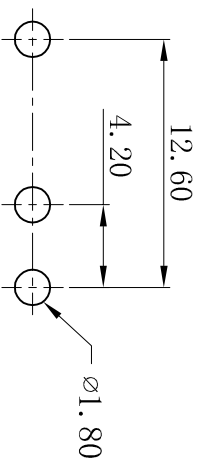
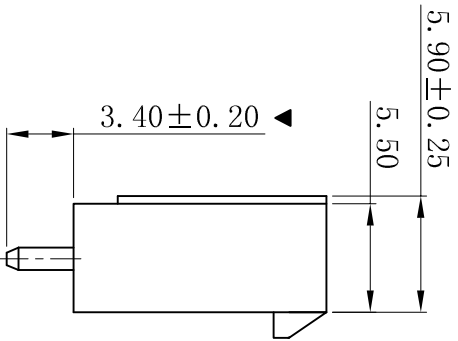
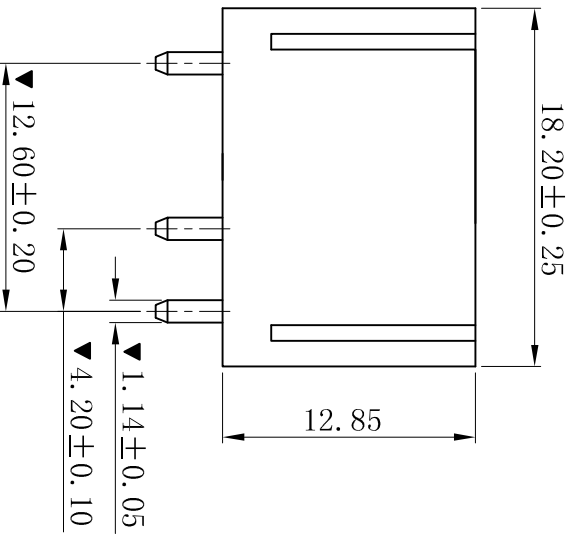
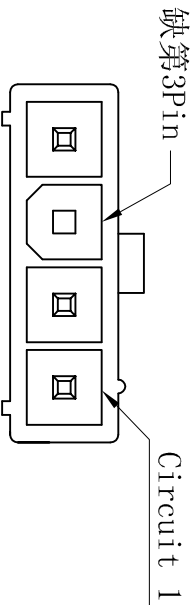


RoHS



P.C.B LAYOUT

- SPECIFICATIONS
- Voltage rating: 600V AC, DC
 - Current rating: 7A, AC, DC
 - Withstanding Voltage: 1500V AC/minute
 - Insulation resistance: 1000MΩ min
 - Temperature range: -25° C +85° C
 - Contact resistance: 20mΩ max
- WAFER
- Part No. : W4202V-1x04P-K03
 - Poles: 04P
 - Housing Material: PA66 UL94V-2
 - Pin Material: Brass
 - Contact Area Plating: Tin-Plated
 - Mates With: H4201 Single row receptacle
 - The Dimension Marked “▼” Must Be Recorded

更新图面		2019-07-03		PP. Dawu		PP. Dawu		0±0.30 .0±0.25 .00±0.20 .000±0.05 ANGLE: ±1°		投影法 Projection 单位 Unit MM		品名 (PART NAME) Molex 4.20mm 180° Wafer Connector Series		料号 (PART NO) W4202V-1x04P-K03		状态码 C	
新版本		2019-01-09		PP. Dawu		PP. Dawu		一般公差 GENERAL TOLERANCE: ANGLE: ±1°		审核/CHECK 核准/APPRO		陈雄军 胡进					
说明		2019-01-09		PP. Dawu		PP. Dawu				日期/DATE		胡进					
版次		2019-01-09		PP. Dawu		PP. Dawu				日期/DATE		胡进					
REV.		2019-01-09		PP. Dawu		PP. Dawu				日期/DATE		胡进					
DESCRIPTION		2019-01-09		PP. Dawu		PP. Dawu				日期/DATE		胡进					

XYDZ® 东莞市祥运连接器有限公司
Dongguan XiangYun Connectors CO., Ltd