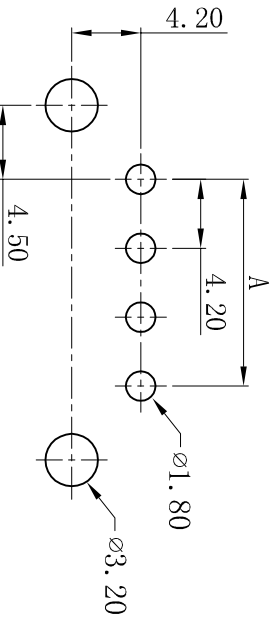
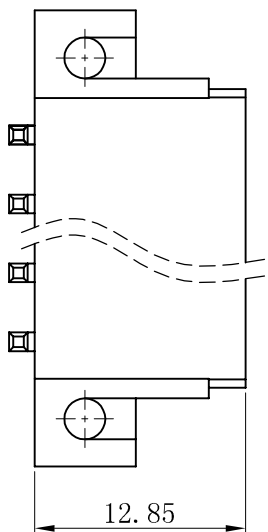
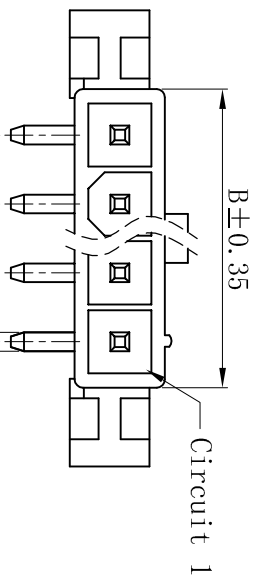


RoHS

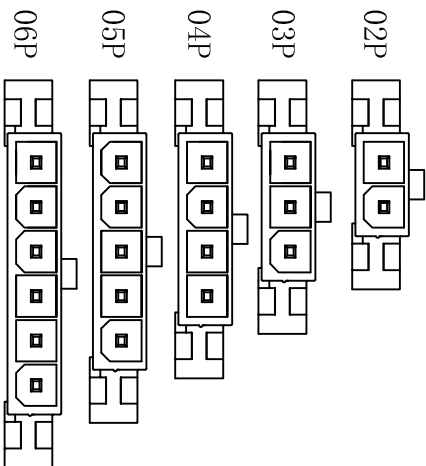
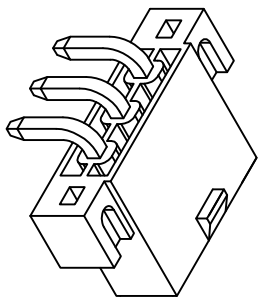
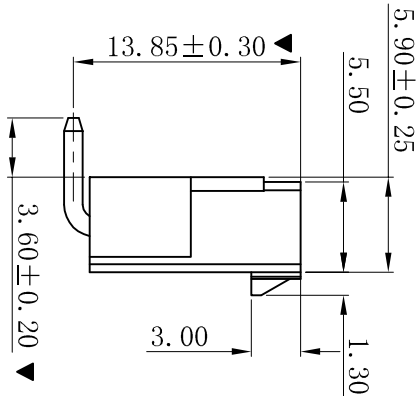


P.C.B LAYOUT

W4202RL-1xNP-X X

HSG Material/Color
None: PA66-V2 Natural
BK: PA66-V2 Black
V0: PA66-V0 Natural
V0BK: PA66-V0 Black
LP: LCP-V0 Natural
LPBK: LCP-V0 Black
9T: PA9T-V0 Natural
9TBK: PA9T-V0 Black

Contact Finish
None: Tin-Plated
SW: Matte Tin-Plated
G: Gold-Flash
G3: 3u" Gold
G10: 10u" Gold
G15: 15u" Gold
G30: 30u" Gold



CIRCUIT SIZE LAYOUT

SPECIFICATIONS

- Voltage rating: 600V AC, DC
- Current rating: 7A, AC, DC
- Withstanding Voltage: 1500V AC/minute
- Insulation resistance: 1000MΩ min
- Temperature range: -25° C~+85° C
- Contact resistance: 20mΩ max

WAFER

- Part No.: W4202RL-1xNP-XX
- Poles : 02-06P
- Housing Material: PA66 UL94V-2 or UL94V-0
- Pin Material: Brass
- Contact Area Plating: Tin-Plated or Gold-Flash
- Mates With: H4201 Single row receptacle
- The Dimension Marked "▼" Must Be Recorded

Poles	Dimensions (mm)	
	A	B
02	4.20	9.80
03	8.40	14.00
04	12.60	18.20
05	16.80	22.40
06	21.00	26.60

一般公差
GENERAL TOLERANCE:
ANGLE: ±1°

0±0.30
±0.25
.00±0.20
.000±0.05

绘图/DR	陈雄军
审核/CHECK	胡进
批准/APPRO	胡进
日期/DATE	2019-07-03

XYDZ® 东莞市祥运连接器有限公司
Connectors
Dongguan XiangYun Connectors CO., Ltd

投影法 Projection	品名 (PART NAME)	料号 (PART NO)	状态码 C
单位 Unit MM	Molax 4.20mm 90° 螺丝孔 Wafer Connector Series		
比例/Scale 1:1			
大小/Size A4			
页码/Sheet 1/1			
版本/Rev B			

更新图面	2019-07-03	PP: Duuu
新版本	2019-05-23	PP: Duuu
说明 DESCRIPTION	日期 DATE	承认 APPRO.

版次 REV.	1	2	3	4	5	6	7	8	9	10
------------	---	---	---	---	---	---	---	---	---	----