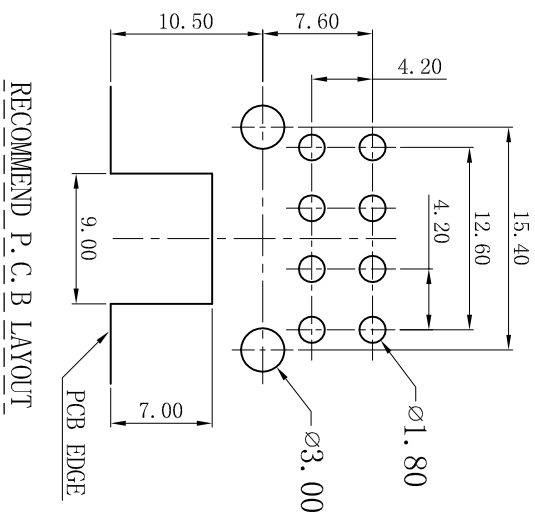
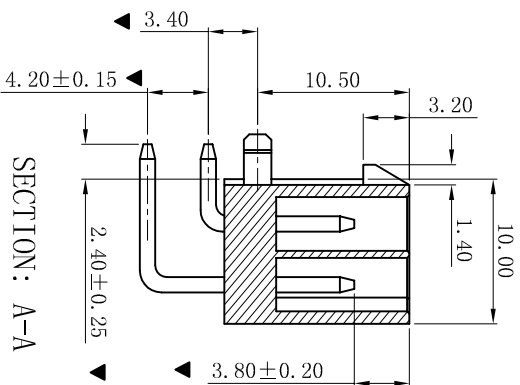
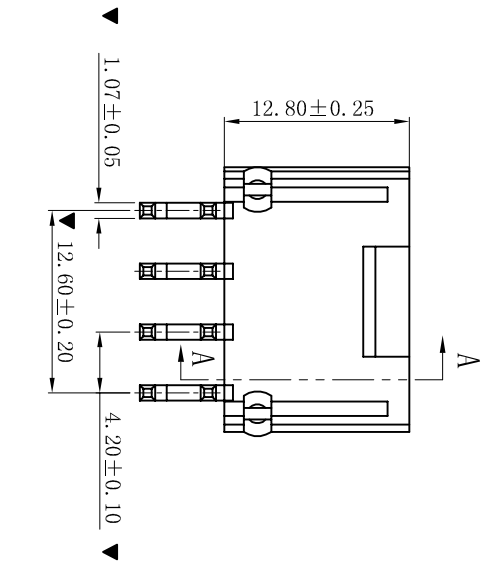
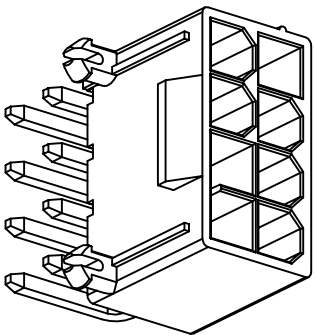
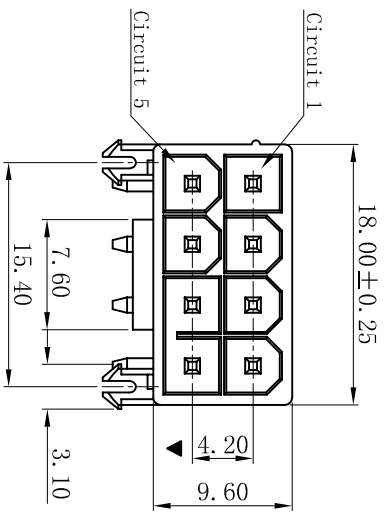


RoHS



- SPECIFICATIONS
- Voltage rating: 600V AC, DC
 - Current rating: 7A, AC, DC
 - Withstanding Voltage: 1500V AC/minute
 - Insulation resistance: 1000MΩ min
 - Temperature range: -25° C~+85° C
 - Contact resistance: 20mΩ max
- WAFER
- Part No. : W4202RDFKK-2x04P-LPBKSW-WL2.4
 - Poles: 08P
 - Housing Material: LCP UL94V-0 Black
 - Pin Material: Brass
 - Contact Area Plating: Matte Tin-Plated (雾锡)
 - PIN L=1.07x15.00x23.35
 - The Dimension Marked “▼” Must Be Recorded

RECOMMEND P.C.B LAYOUT
TOLERANCE ±0.05
TOP VIEW

XYDZ® 东莞市祥运连接器有限公司
Dongguan XiangYun Connectors CO., Ltd

一般公差
GENERAL TOLERANCE:
0±0.30
.00±0.25
.000±0.05
ANGLE: ±1°

绘图/DR
审核/CHECK
批准/APPRO
日期/DATE

投影法
单位 Unit
比例/Scale
大小/Size
页码/SHEET
版本/Rev

品名 (PART NAME)
料号 (PART NO)
状态码

陈雄军
胡进
2019-07-01

MM
1:1
A4
1/1
A

Molex 4.20mm 90° 反扣宽筋
Wafer Connector Series
W4202RDFKK-2x04P
-LPBKS-WL2.4

PPZ Data
2019-07-01
APPRO.

说明
新版本

版次 RRV.
1

1 2 3 4 5 6 7 8 9 10