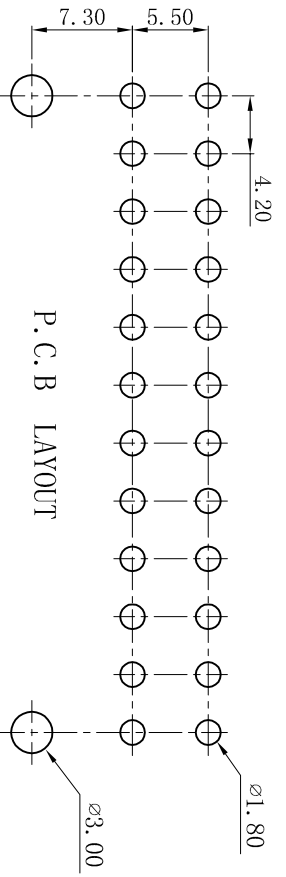
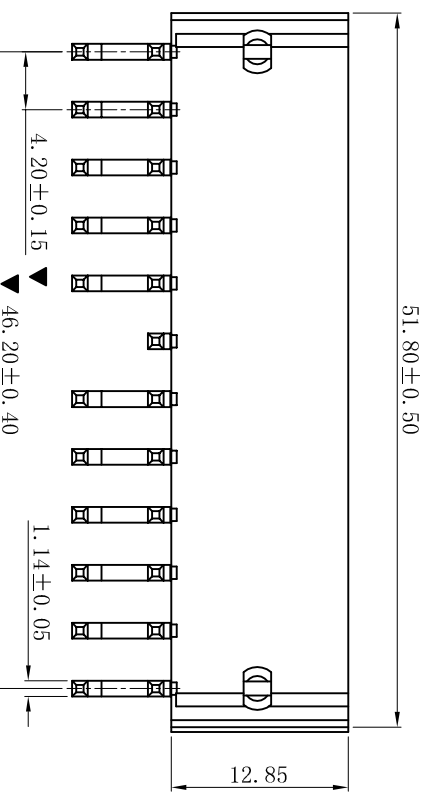
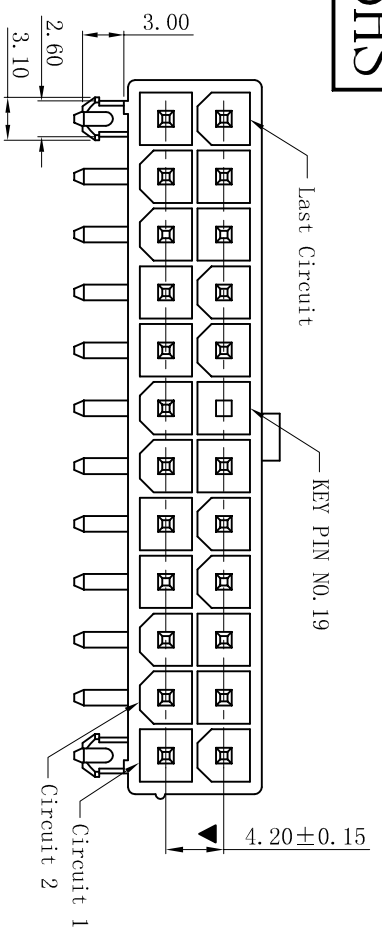
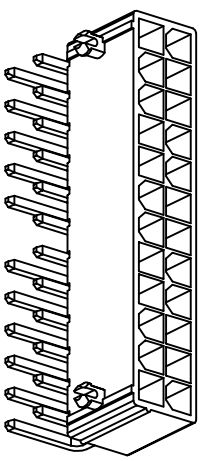


ROHS



P. C. B LAYOUT

- SPECIFICATIONS
- Voltage rating: 600V AC, DC
 - Current rating: 7A, AC, DC
 - Withstanding Voltage: 1500V AC/minute
 - Insulation resistance: 1000M Ω min
 - Temperature range: -25 $^{\circ}$ C~+85 $^{\circ}$ C
 - Contact resistance: 20m Ω max
- WAFER
- Part No.: W4202RD-2x12P-6T1BK-K19
 - Poles: 24P
 - Housing Material: PA6T UL94V-0 Black
 - Pin Material: Brass
 - Contact: Tin Plated Thickness 100 μ over 50 μ Nickel
 - Mates With: H4201 dual row receptacle
 - Environmental:
 - Resistance To Wave Soldering Heat: 270 \pm 5/ -0° C, 5Sec
 - Operating Temperature: -40 $^{\circ}$ C~+105 $^{\circ}$ C
 - Contact Retention Force: \geq 1.00 kgf
 - The Dimension Marked "▲" Must Be Recorded



D	更新图面	2019-07-03	陈雄军
C	修订版本	2015-11-04	陈雄军
B	变更图宽格式内容	2013-12-27	陈雄军
A	新版本	2011-05-24	陈雄军
H	版次 RRV.	说明	承认
		DESCRIPTION	APPRO.

一般公差	0 \pm 0.30
GENERAL TOLERANCE:	.00 \pm 0.25
	.000 \pm 0.05
ANGLE: \pm 1 $^{\circ}$	
绘图/DR	陈雄军
审核/CHECK	胡进
核准/APPRO	胡进
日期/DATE	2019-07-03

XYDZ[®] 东莞市祥运连接器有限公司
 Dongguan XiangYun Connectors CO., Ltd

投影法	第一角	品名	Molex 4.20mm 90 $^{\circ}$ 定位柱
单位 Unit	MM	(PART NAME)	Wafer Connector Series
比例/Scale	1:1	料号	W4202RD-2x12P-6T1BK-K19
大小/SIZE	A4	(PART NO)	
页码/SHEET	1/1	状态码	C
版本/Rev	D		