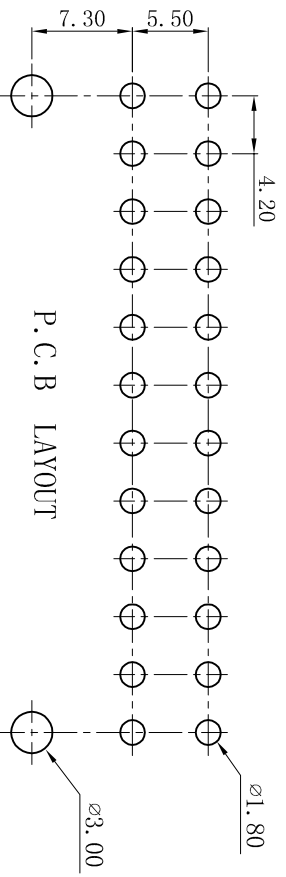
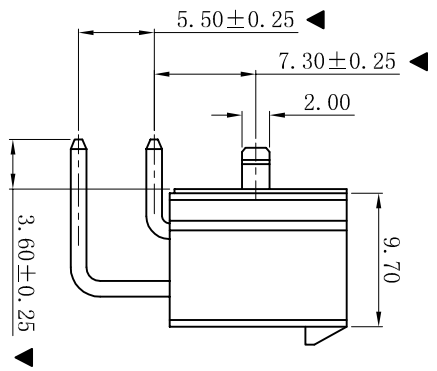
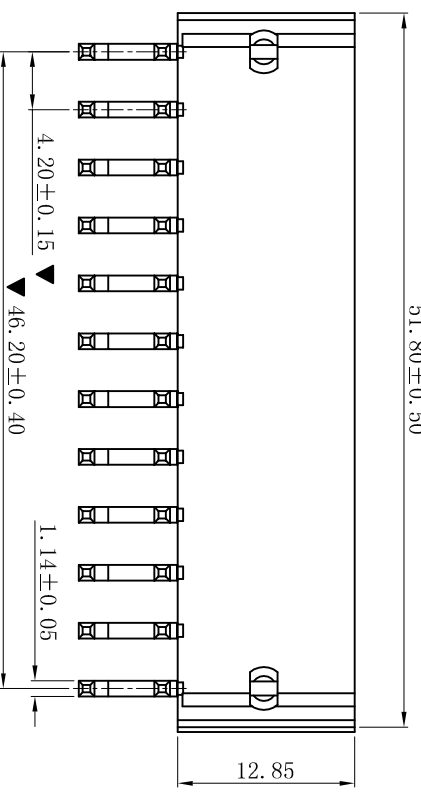
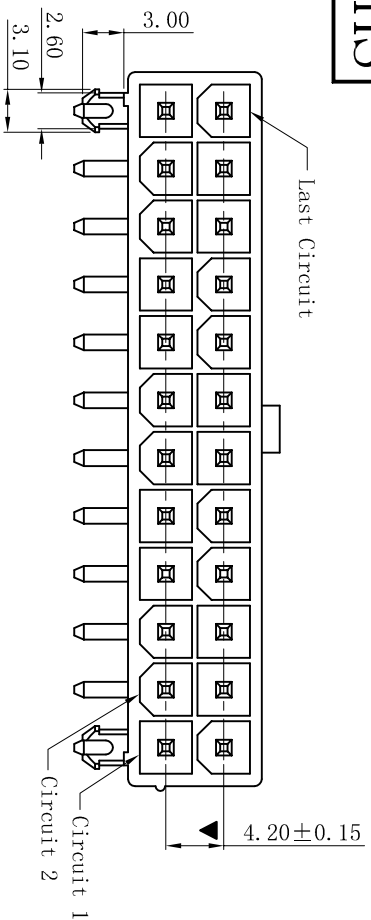


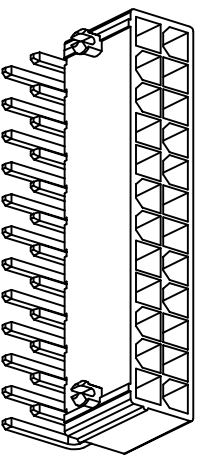
ROHS



P.C.B LAYOUT

■ SPECIFICATIONS

- Voltage rating: 600V AC, DC
- Current rating: 7A, AC, DC
- Withstanding Voltage: 1500V AC/minute
- Insulation resistance: 1000MΩ min
- Temperature range: -25°C~+85°C
- Contact resistance: 20mΩ max
- WAFER
 - Part No. : W4202RD-2x12P-6TBE
 - Poles: 24P
 - Housing Material: PA6T UL94V-0 Beige
 - Pin Material: Brass
 - Contact: Tin Plated Thickness 100u" over 50u" Nickel
 - Mates With: H4201 dual row receptacle
 - Environmental:
 - Resistance To Wave Soldering Heat: 270+5/-0°C, 5Sec
 - Operating Temperature: -40°C~+105°C
 - Contact Retention Force: >=1.00 kgf
- The Dimension Marked "▼" Must Be Recorded



XYDZ® 东莞市祥运连接器有限公司
 Dongguan XiangYun Connectors CO., Ltd

一般公差 GENERAL TOLERANCE:	0±0.30 .0±0.25 .00±0.20 .000±0.05
ANGLE: ±1°	

更新图面
2019-07-03
陈雄军

修订版本
2015-11-04
陈雄军

变更图宽格式内容
2013-12-27
陈雄军

新版本
2011-05-24
陈雄军

说明
DESCRPTION
日期
DATE:
2011-05-24
承认
APPRO.

投影法
Projection

单位 Unit
MM

比例/Scale
1:1

大小/Size
A4

页码/Sheet
1/1

版本/Rev
D

品名
(PART NAME)
Molex 4.20mm 90° 定位柱

料号
(PART NO)
W4202RD-2x12P-6TBE

状态码
C

1	2	3	4	5	6	7	8	9	10
---	---	---	---	---	---	---	---	---	----