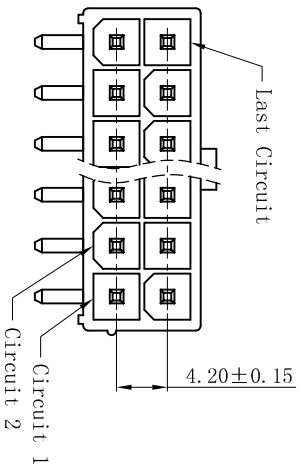


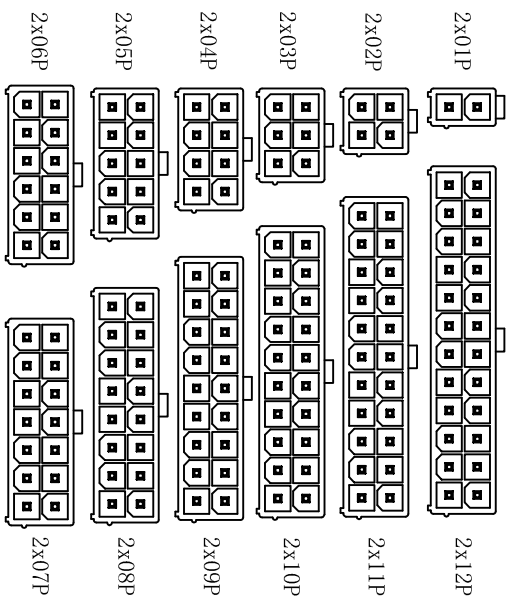
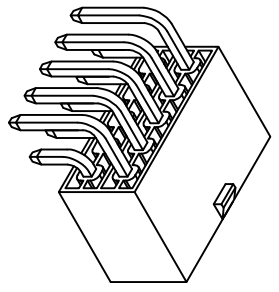
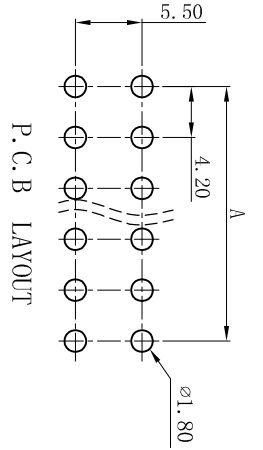
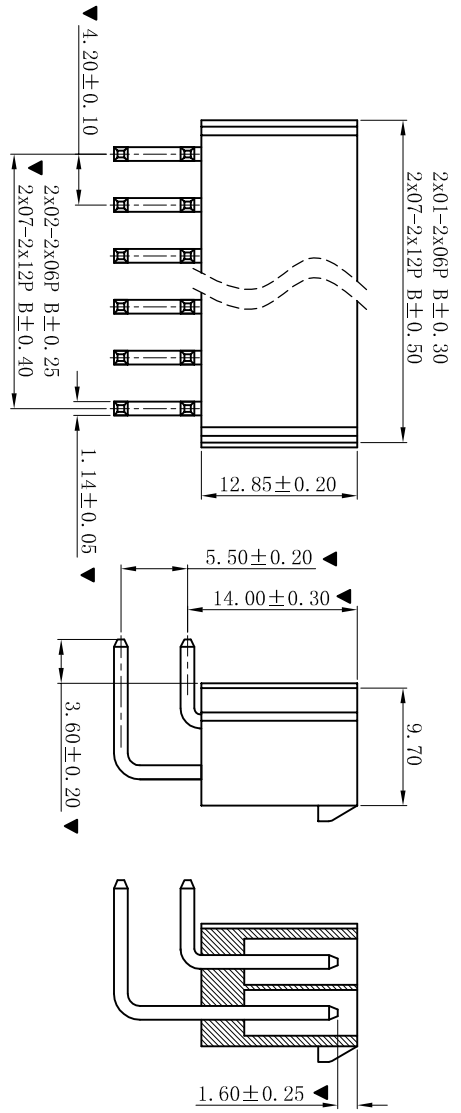
RoHS

W4202R-2xNP-X X-ZP1.6



- HSG Material/Color**
- None:PA66-V2 Natural
 - BK:PA66-V2 Black
 - V0:PA66-V0 Natural
 - VOBK:PA66-V0 Black
 - LP:LCP-V0 Natural
 - LPBK:LCP-V0 Black
 - 9T:PA9T-V0 Natural
 - 9T BK:PA9T-V0 Black
- Contact Finish**
- None: Tin-Plated
 - SW: Matte Tin-Plated
 - G: Gold-Flash
 - G3: 3" Gold
 - G10: 10u" Gold
 - G15: 15u" Gold

- SPECIFICATIONS**
- Voltage rating: 600V AC, DC
 - Current rating: 7A, AC, DC
 - Withstanding Voltage: 1500V AC/minute
 - Insulation resistance: 1000MΩ min
 - Temperature range: -25°C~+85°C
 - Contact resistance: 20mΩ max
- WAFER**
- Part No. : W4202R-2xNP-XX-ZP1.6
 - Poles : 02-24P
 - Housing Material : PA66 UL94V-2 or UL94V-0
 - Pin Material : Brass
 - Contact Area Plating: Tin-Plated or Gold-Flash
 - Mates With: H4201 dual row receptacle
 - The Dimension Marked "▲" Must Be Recorded
 - PIN L=1.14x18.5x28.1



CIRCUIT SIZE LAYOUT

Poles	Dimensions (mm)	
	A	B
2x01	---	5.60
2x02	4.20	9.80
2x03	8.40	14.00
2x04	12.60	18.20
2x05	16.80	22.40
2x06	21.00	26.60
2x07	25.20	30.80
2x08	29.40	35.00
2x09	33.60	39.20
2x10	37.80	43.40
2x11	42.00	47.60
2x12	46.20	51.80

XYDZ® 东莞市祥运连接器有限公司
 Dongguan XiangYun Connectors CO., Ltd

更新图画		2019-06-03		陈雄军		一般公差 GENERAL TOLERANCE:		0±0.30 -0±0.25 .00±0.20 .000±0.05		投影法 Projection		品名 (PART NAME)		Molex 4.20mm 90° Wafer	
修訂版本		2015-11-04		陈雄军		ANGLE: ±1°		0±0.30 -0±0.25 .00±0.20 .000±0.05		单位 Unit		MM		Connector Series	
变更图宽格式内容		2013-12-27		陈雄军		绘图/DR		陈雄军		比例/Scale		1:1		(PART NO)	
新版本		2011-05-24		陈雄军		审核/CHKC		陈雄军		大小/Size		A4		W4202R-2xNP-XX-ZP1.6	
说明		DESCRPTION		日期		日期/DATE		2019-07-03		页码/Sheet		1/1		状态码	
版次		REV.		1		5		APPRO.		承认		C			