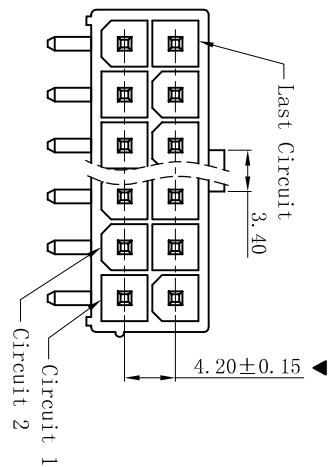


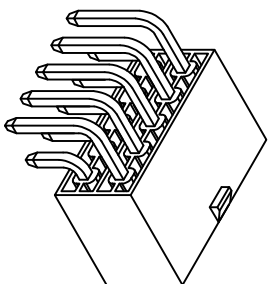
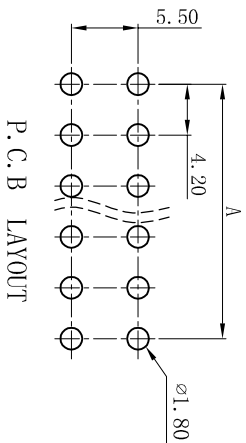
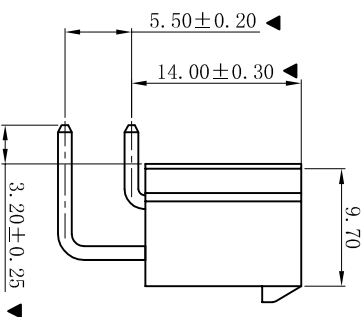
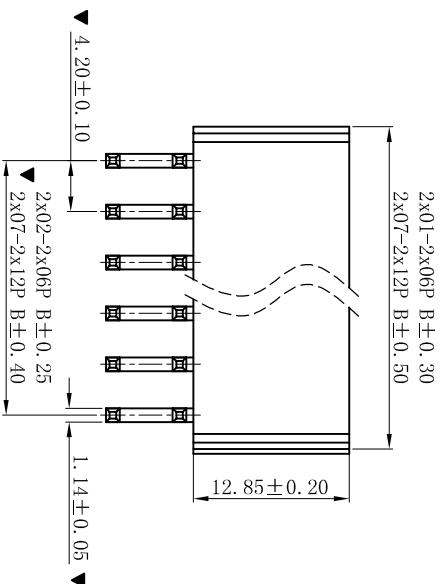
# RoHS

## W4202R-2xNP-X X-WL3.2

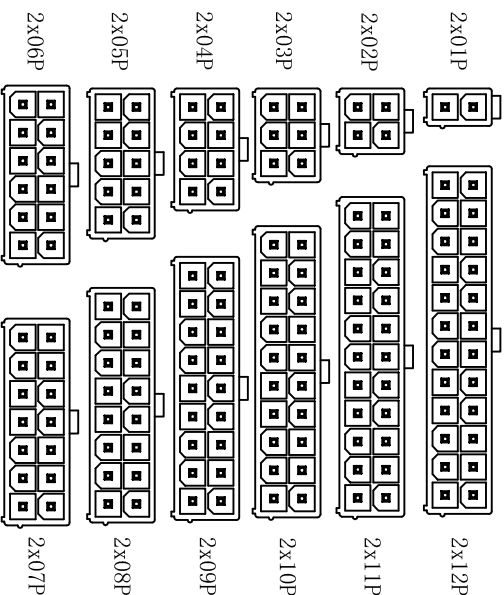


HSG Material/Color  
None:PA66-V2 Natural  
BK:PA66-V2 Black  
V0:PA66-V0 Natural  
V0BK:PA66-V0 Black  
LP:LCP-V0 Natural  
LPBK:LCP-V0 Black  
9T:PA9T-V0 Natural  
9TBK:PA9T-V0 Black

Contact Finish  
None:Tin-Plated  
SW:Matte Tin-Plated  
G:Gold-Flash  
G3:3u" Gold  
G10:10u" Gold  
G15:15u" Gold



- ### ■ SPECIFICATIONS
- Voltage rating: 600V AC, DC
  - Current rating: 7A, AC, DC
  - Withstanding Voltage: 1500V AC/minute
  - Insulation resistance:1000MΩ min
  - Temperature range: -25° C~+85° C
  - Contact resistance: 20mΩ max
- ### ■ WAFER
- Part No.: W4202R-2xNP-XX-WL3.2
  - Poles : 02-24P
  - Housing Material: PA66 UL94V-2 or UL94V-0
  - Pin Material: Brass
  - Contact Area Plating: Tin-Plated or Gold-Flash
  - Mates With: H4201 dual row receptacle
  - The Dimension Marked "▲" Must Be Recorded



Poles	Dimensions(mm)	
	A	B
2x01	---	5.60
2x02	4.20	9.80
2x03	8.40	14.00
2x04	12.60	18.20
2x05	16.80	22.40
2x06	21.00	26.60
2x07	25.20	30.80
2x08	29.40	35.00
2x09	33.60	39.20
2x10	37.80	43.40
2x11	42.00	47.60
2x12	46.20	51.80

### CIRCUIT SIZE LAYOUT

**XYDZ® 东莞市祥运连接器有限公司**  
Dongguan XiangYun Connectors CO., Ltd

Connectors

Molex 4.20mm 90° Wafer Connector Series

一般公差 GENERAL TOLERANCE:	0±0.30 .0±0.25 .00±0.20 .000±0.05
角度/DR	ANGLE: ±1°
绘图/CHK	陈雄军
审核/CHK	陈雄军
批准/APPRO	胡进
日期/DATE	2019-07-03

投影法 Projection	第一角	品名 (PART NAME)	Molex 4.20mm 90° Wafer Connector Series
单位 Unit	MM	料号 (PART NO)	W4202R-2xNP-XX-WL3.2
比例/Scale	1:1	状态码	C
大小/Size	A4		
页码/Sheet	1/1		
版本/Rev	D		

更新图面	2019-07-03	陈雄军
修打版本	2015-11-04	陈雄军
变更图览格式内容	2013-12-27	陈雄军
新版本	2011-05-24	陈雄军
说明	日期	承认
DESCRIPTION	DATE	APPRO.

版次 REV. 1 2 3 4 5 6 7 8 9 10