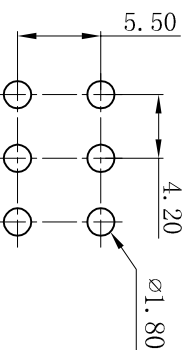
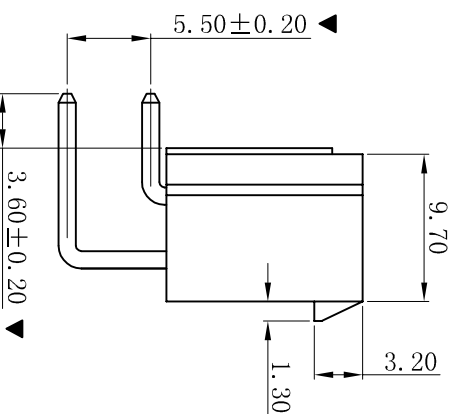
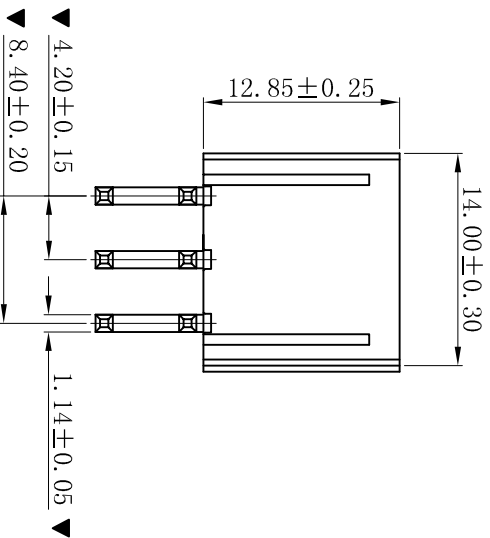
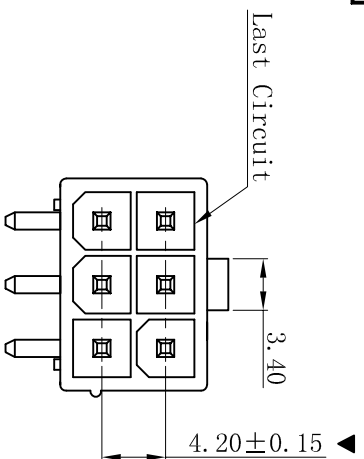


RoHS



P.C.B LAYOUT

- SPECIFICATIONS
- Voltage rating: 600V AC, DC
 - Current rating: 9A, AC, DC
 - Withstanding Voltage: 1500V AC/minute
 - Insulation resistance: 1000M Ω min
 - Temperature range: -45 $^{\circ}$ C~+105 $^{\circ}$ C
 - Contact resistance: 20m Ω max
- WAFER
- Part No.: W4202R-2x03P-LP-H-B
 - Poles : 06P
 - Housing Material: LCP UL94-V0 米黄色
 - Pin Material: High Conductivity Copper
 - Contact Area Plating: Tin-Plated
 - Mates With: H4201 dual row receptacle
 - The Dimension Marked “▼” Must Be Recorded

一般公差 GENERAL TOLERANCE:		0±0.30 .0±0.25 .00±0.20 .000±0.05
绘图/DR		P.P. Duaw
审核/CHECK		陈雄军
批准/APPRO		胡进
日期/DATE		2019-07-03

投影法 Projection		第一角
单位 Unit		MM
比例/Scale		1:1
大小/Size		A4
页码/Sheet		1/1
版本/Rev		B

XYDZ [®] 东莞市祥运连接器有限公司 Dongguan XiangYun Connectors CO., Ltd		品名 (PART NAME)	Molex 4.20mm 90 $^{\circ}$ Wafer Connector Series
		料号 (PART NO)	W4202R-2x03P-LP-H-B

更新图面	2019-07-03	P.P. Duaw
新版本	2019-05-14	P.P. Duaw

说明 DESCRIPTION	日期 DATE	承认 APPRO.
1	2	3

版次 REV.	1	2	3	4	5	6	7	8	9	10
------------	---	---	---	---	---	---	---	---	---	----

状态码	C
-----	---