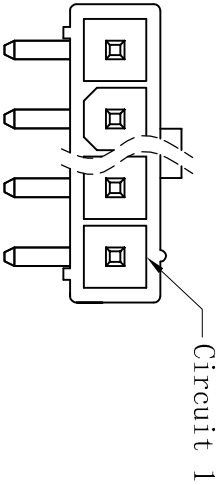


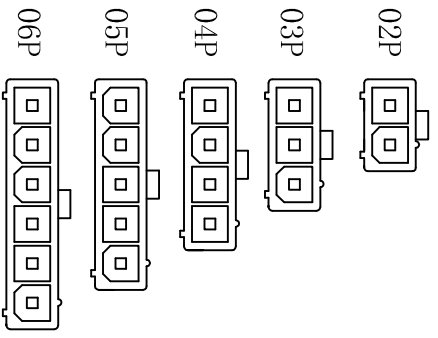
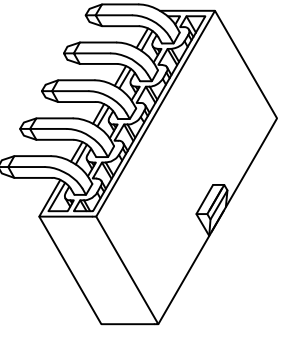
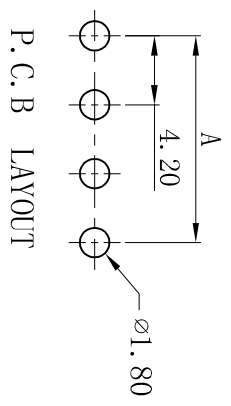
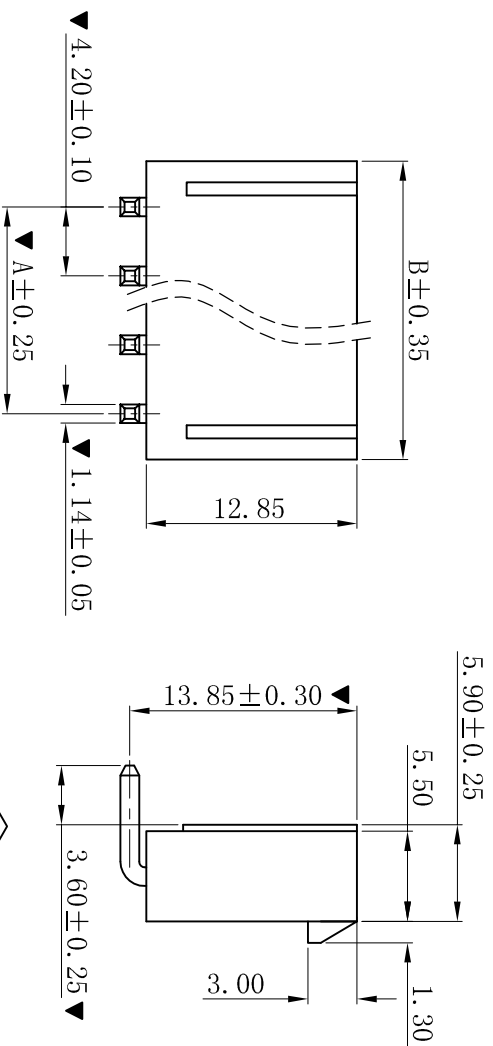
RoHS

W4202R-1xNP-XX



HSG Material/Color  
None:PA66-V2 Natural  
BK:PA66-V2 Black  
V0:PA66-V0 Natural  
V0BK:PA66-V0 Black  
LP:LCF-V0 Natural  
LPBK:LCF-V0 Black  
9T:PA9T-V0 Natural  
9TBK:PA9T-V0 Black

Contact Finish  
None: Tin-Plated  
SW: Matte Tin-Plated  
G: Gold-Flash  
G3: 3u" Gold  
G10: 10u" Gold  
G15: 15u" Gold  
G30: 30u" Gold



Poles	Dimensions (mm)	
	A	B
02	4.20	9.80
03	8.40	14.00
04	12.60	18.20
05	16.80	22.40
06	21.00	26.60

- SPECIFICATIONS**
- Voltage rating: 600V AC, DC
  - Current rating: 7A, AC, DC
  - Withstanding Voltage: 1500V AC/minute
  - Insulation resistance: 1000MΩ min
  - Temperature range: -25 °C ~ +85 °C
  - Contact resistance: 20mΩ max
- WAFER**
- Part No. : W4202R-1xNP-XX
  - Poles : 02-06P
  - Housing Material: PA66 UL94V-2 or UL94V-0
  - Pin Material: Brass
  - Contact Area Plating: Tin-Plated or Gold-Flash
  - Mates With: H4201 Single row receptacle
  - The Dimension Marked "▼" Must Be Recorded

**XYDZ® 东莞市祥运连接器有限公司**  
Dongguan XiangYun Connectors CO., Ltd

一般公差 GENERAL TOLERANCE:	0±0.30 .00±0.25 .000±0.05
ANGLE: ±1°	

投影法 Projection		品名 (PART NAME)	Molex 4.20mm 90° Wafer
单位 Unit	MM	料号 (PART NO)	W4202R-1xNP-XX
比例/Scale	1:1	状态码	
大小/Size	A4		
页码/SHEET	1/1		
版本/Rev	B		

更新图面 更新版本	2019-07-03	PP: Duuu
说明 新版本	2019-05-23	PP: Duuu
版次 REV.		承认 APPRO.

绘图/DR	PP: Duuu
审核/CHECK	陈雄军
批准/APPRO	胡进
日期/DATE	2019-05-23

日期/DATE	2019-05-23
---------	------------