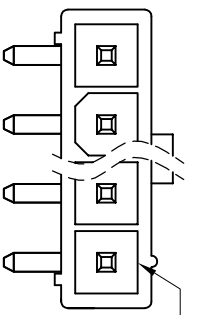


RoHS

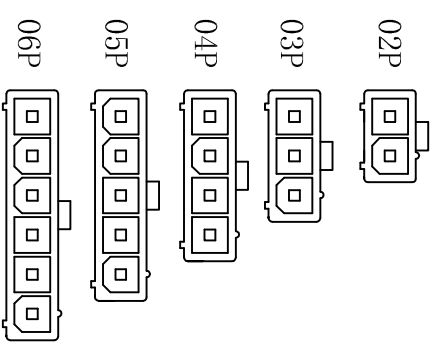
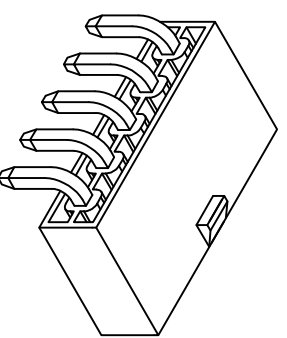
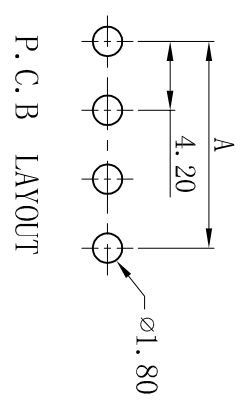
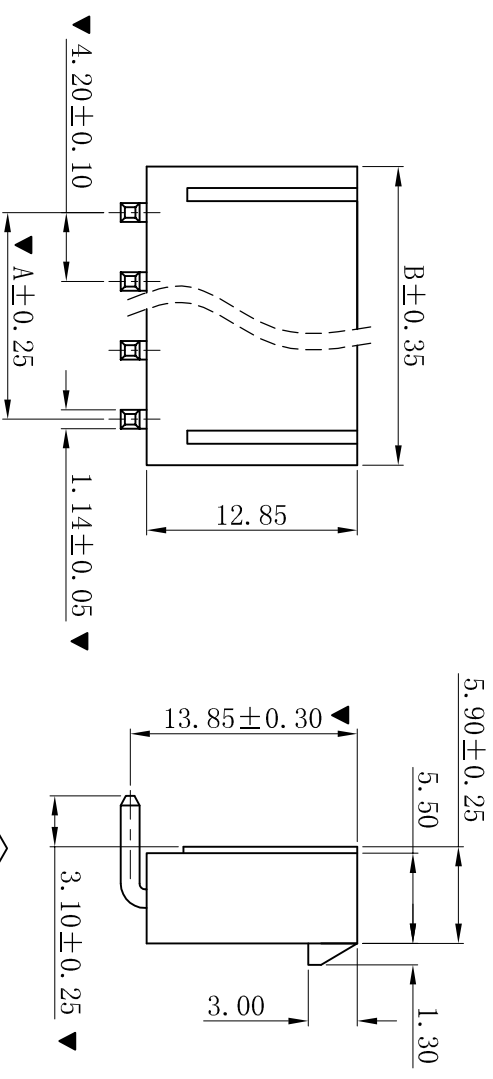


Circuit 1

W4202R-1xNP-X-X-WL3.1

HSG: Material/Color
None:PA66-V2 Natural
BK:PA66-V2 Black
V0:PA66-V0 Natural
V0BK:PA66-V0 Black
LP:LCP-V0 Natural
LPBK:LCP-V0 Black
9T:PA9T-V0 Natural
9TBK:PA9T-V0 Black

Contact Finish
None:Tin-Plated
SW:Matte Tin-Plated
G:Gold-Flash
G3:3u" Gold
G10:10u" Gold
G15:15u" Gold
G30:30u" Gold



CIRCUIT SIZE LAYOUT

Poles	Dimensions (mm)	
	A	B
02	4.20	9.80
03	8.40	14.00
04	12.60	18.20
05	16.80	22.40
06	21.00	26.60

- SPECIFICATIONS**
- Voltage rating: 600V AC, DC
 - Current rating: 7A, AC, DC
 - Withstanding Voltage: 1500V AC/minute
 - Insulation resistance: 1000MΩ min
 - Temperature range: -25° C~+85° C
 - Contact resistance: 20mΩ max
- WAFER**
- Part No. : W4202R-1xNP-XX-WL3.1
 - Poles : 02-06P
 - Housing Material: PA66 UL94V-2 or UL94V-0
 - Pin Material: Brass
 - Contact Area Plating: Tin-Plated or Gold-Flash
 - Mates With: H4201 Single row receptacle
 - The Dimension Marked “▼” Must Be Recorded

一般公差 GENERAL TOLERANCE:	0±0.30 .0±0.25 .000±0.20 ANGLE: ±1°
绘图/DR	PP: Duuu
审核/CHECK	陈雄军
批准/APPRO	胡进
日期/DATE	2019-07-03

XYDZ® 东莞市祥运连接器有限公司
Dongguan XiangYun Connectors CO., Ltd

Connectors

MoIex 4.20mm 90° Wafer Connector Series

更新图面	2019-07-03	PP: Duuu	承认	2019-07-03	说明
新版本	2019-05-23	PP: Duuu	承认	2019-05-23	说明
版次	1	说明	承认	2019-05-23	说明
版次	1	说明	承认	2019-05-23	说明

1 2 3 4 5 6 7 8 9 10