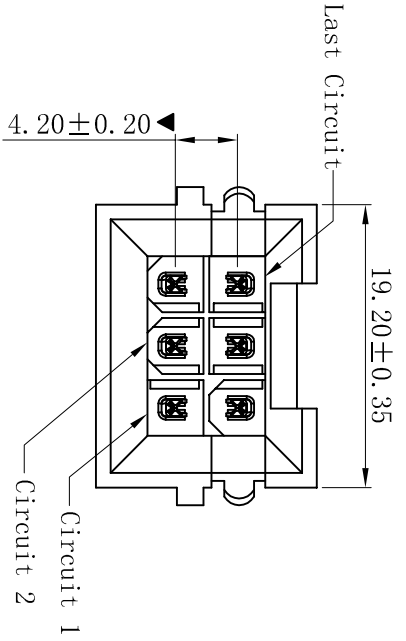


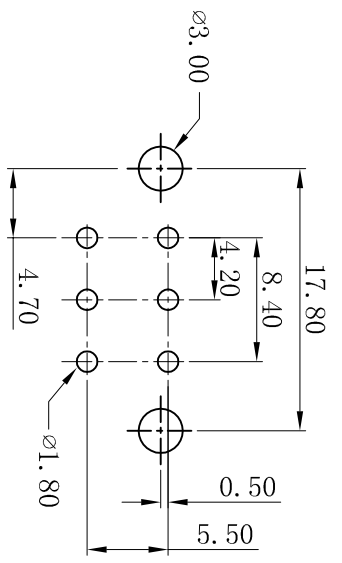
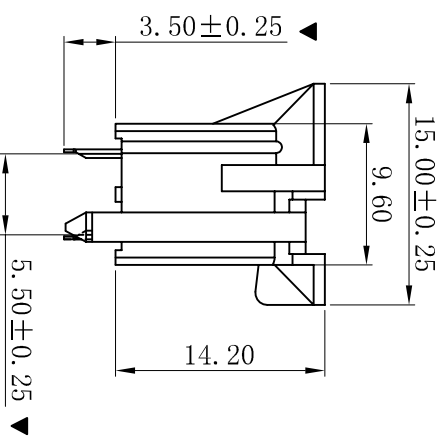
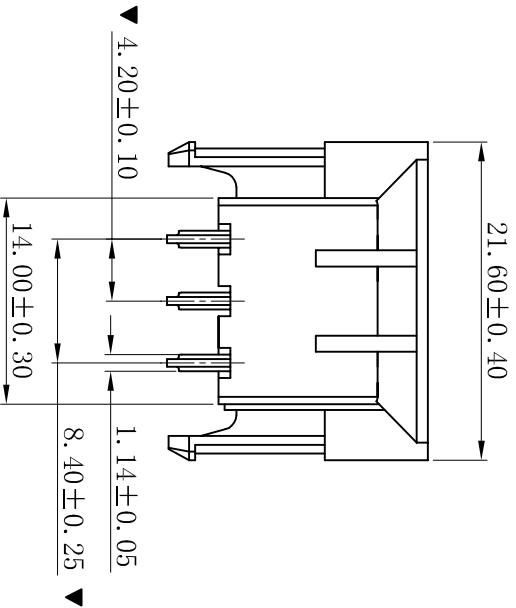
RoHS



W42021TD-2x03P-PCI-XX

HSG Material/ Color	Contact Finish
None:PA66-V2 Natural	None:Tin-plated
BK:PA66-V2 Black	Tin Thickness=100u"
V0:PA66-V0 Natural	Nickel Thickness=50u"
V0BK:PA66-V0 Black	SW:Matte Tin-Plated
LP:LCP-V0 Natural	G:Gold-flash
LPBK:LCP-V0 Black	G3:3u" Gold
9T:PA9T-V0 Natural	G10:10u" Gold
9TBK:PA9T-V0 Black	G15:15u" Gold

- SPECIFICATIONS
- Voltage rating: 600V AC, DC
 - Current rating: 7A, AC, DC
 - Withstanding Voltage: 1500V AC/minute
 - Insulation resistance:1000MΩ min
 - Temperature range: -25° C~+85° C
 - Contact resistance: 20mΩ max
- WAFER
- Part No.: W42021TD-2x03P-PCI-XX
 - Poles : 06P
 - Housing Material: PA66 UL94V-2 or UL94V-0
 - Pin Material: Brass
 - Contact Area Plating: Tin-Plated or Gold-Flash
 - The Dimension Marked "▼" Must Be Recorded



PCB LAYOUT:Component Side
Recommended PCB Thickness 1.78MAX

更新图面		2019-07-03	陈雄军	承认	2019-07-03
新版本		2019-05-11	陈雄军	承认	2019-07-03
说明		日期	日期	日期	日期
版次		REV.	REV.	REV.	REV.

XYDZ® 东莞市祥运连接器有限公司
Dongguan XiangYun Connectors CO., Ltd

Connectors

投影法	Projection	品名	MoIex 4.20mm 180° 空芯喇叭口
单位 Unit	MM	(PART NAME)	PCI孔位 Wafer Connector Series
比例/Scale	1:1	料号	W42021TD-2x03P-PCI-XX
大小/Size	A4	(PART NO)	
页码/Sheet	1/1	状态码	C
版本/Rev	B		