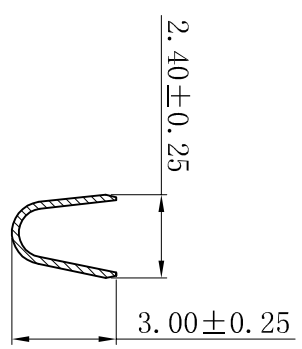
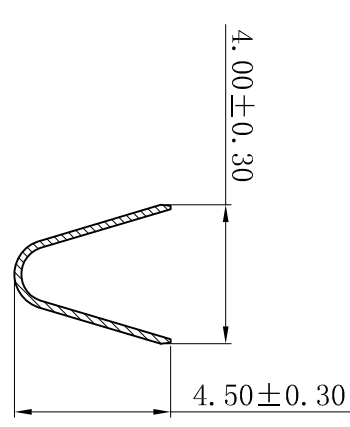
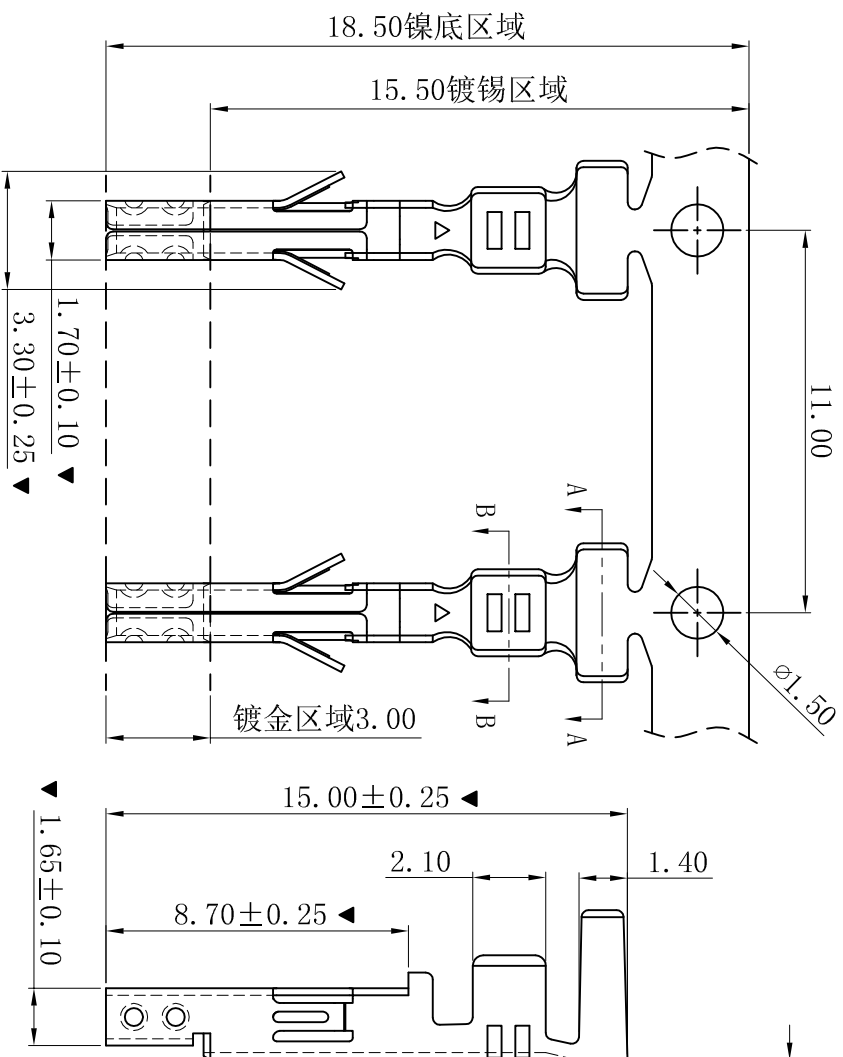


ROHS



- SPECIFICATIONS
- Voltage rating: 600V AC, DC
 - Current rating: 7A, AC, DC
 - Withstanding Voltage: 1500V AC/minute
 - Temperature range: -25°C~+85°C
 - Contact resistance: 20mΩ max
- TERMINAL
- Part No. : T4202BGSN-CGJ
 - Applicable wire: AWG#16-#18
 - Material: Brass or Phosphor Bronze
 - Finish: Tin Plated or Gold-Flash
 - The Dimension Marked "▼" Must Be Recorded

| | | | | | | | | | | | | | | | |
|----------|--|------------|--|-----|--|----------------------------|--|--|--|-------------------|--|-------------------|--|---------------------------|--|
| 更新图面 | | 2019-07-03 | | 陈雄军 | | 一般公差 GENERAL TOLERANCE: | | 0±0.30 .0±0.25 .00±0.20 .000±0.05 | | 投影法 Projection | | 品名 (PART NAME) | | Molex 4.20mm Female | |
| 修订版本 | | 2018-07-09 | | 陈雄军 | | 绘图/DR | | ANGLE: ±1° | | 单位 Unit | | (PART NAME) | | Terminal Connector Series | |
| 变更图宽格式内容 | | 2013-12-27 | | 陈雄军 | | 审核/CHECK | | 陈雄军 | | 比例/Scale | | 料号 (PART NO) | | T4202BGSN-CGJ | |
| 新版本 | | 2011-05-24 | | 陈雄军 | | 批准/APPRO | | 胡进 | | 大小/Size | | A4 | | 状态码 | |
| 说明 | | 2011-05-24 | | 陈雄军 | | 日期/DATE | | 2019-07-03 | | 页码/SHEET | | 1/1 | | C | |
| 版次 | | 1 | | 1 | | DESCRPTION | | | | 版本/Rev | | D | | | |

XYDZ® 东莞市祥运连接器有限公司
Dongguan Xiangyun Connector s CO., Ltd