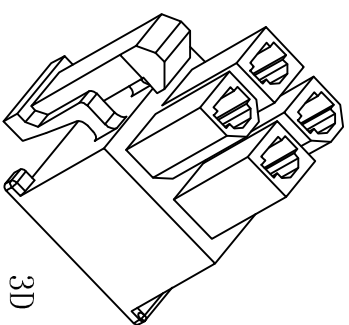
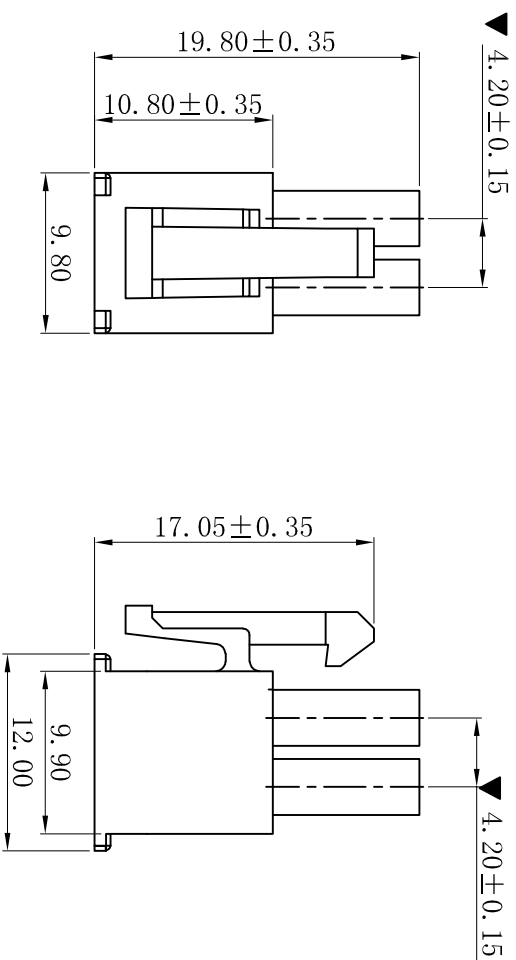
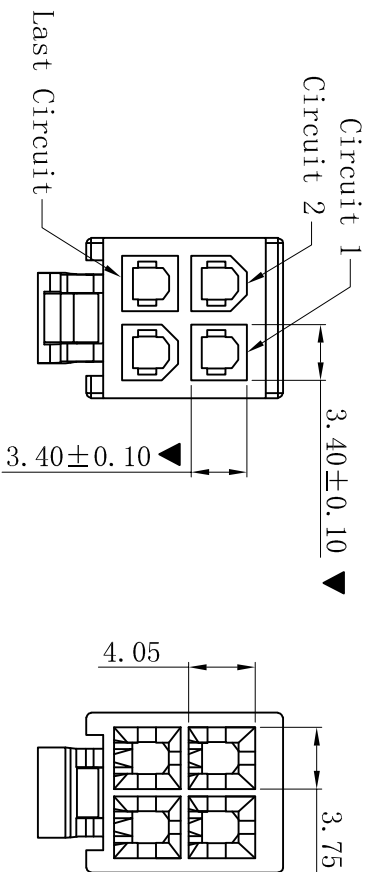


RoHS



3D VIEW

■ SPECIFICATIONS

- Voltage rating: 600V AC, DC
- Current rating: 7A, AC, DC
- Withstanding Voltage: 1500V AC/minute
- Insulation resistance: 1000MΩ min
- Temperature range: -25° C~+85° C

■ HOUSING

- Part No. : H4201-2x02P-ZL
- Poles: 04P
- Housing Material: PA66 UL94V-2 Color Natural
- Mates With: H4202 dual row receptacle
- Use With: T4202 Terminal
- The Dimension Marked “▼” Must Be Recorded

XYDZ® 东莞市祥运连接器有限公司
 Dongguan XiangYun Connectors CO., Ltd

一般公差 GENERAL TOLERANCE:	0±0.30 .0±0.25 .00±0.20 .000±0.05
ANGLE: ±1°	

投影法
Projection



单位 Unit
MM

比例/Scale
1:1

大小/Size
A4

页码/Sheet
1/1

版本/Rev
B

品名
(PART NAME)
Molex 4.20mm Male
Housing Connector Series

料号
(PART NO)
H4201-2x02P-ZL

状态码
C

绘图/DR	2019-07-03	PP, Duow	审核/CHECK	2019-04-23	PP, Duow	日期/DATE	2019-07-03
更新图面 新版本			说明 DESCRIPTION				
版次 REV.							

1	2	3	4	5	6	7	8	9	10
---	---	---	---	---	---	---	---	---	----