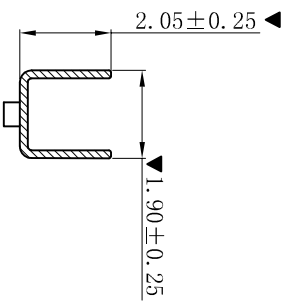
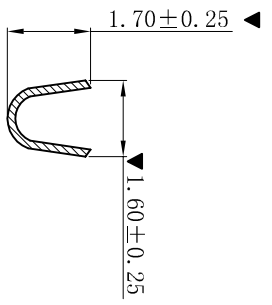
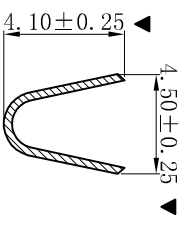
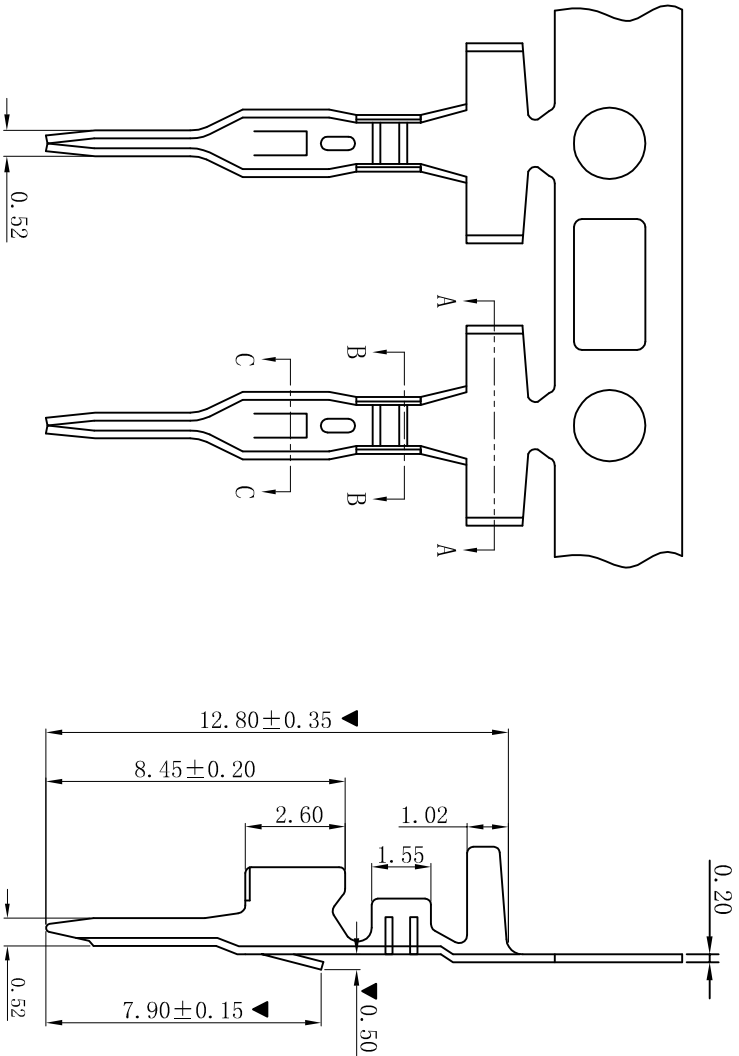


RoHS



- SPECIFICATIONS
- Voltage rating: 600V AC, DC
- Current ratings: 5A, AC, DC
- Withstanding Voltage: 1500V AC/minute
- Temperature range: -25° C~+85° C
- Contact resistance: 20mΩ max
- TERMINAL
- Part No. : T4001PT
- Applicable wire: AWG#22-#28
- Material: Phosphor Bronze
- Finish: Tin Plated
- The Dimension Marked “▼” Must Be Recorded

G

D	更新图面	2019-06-03	陈雄军	一般公差 GENERAL TOLERANCE:	0±0.30 .0±0.25 .00±0.20 .000±0.05					
C	修订版本	2015-11-04	陈雄军	绘图/DR	陈雄军					
B	变更图宽格式内容	2013-12-27	陈雄军	审核/CHECK	陈雄军					
A	新版本	2011-05-24	陈雄军	核准/APPRO	胡进					
H	说明	日期	承认	日期/DATE	2019-06-03					
1	版次	DESCRIPTION	APPRO.	日期/DATE	2019-06-03					
1	1	2	3	4	5	6	7	8	9	10

XYDZ® 东莞市祥运连接器有限公司  
Dongguan XiangYun Connectors CO., Ltd

Connectors

投影法  
Projection  
单位 Unit  
MM

品名  
(PART NAME)  
BH4.00mm Male Terminal  
Connector Series

料号  
(PART NO)  
T4001PT

状态码  
C

H

1	1	2	3	4	5	6	7	8	9	10
---	---	---	---	---	---	---	---	---	---	----

1	2	3	4	5	6	7	8	9	10
---	---	---	---	---	---	---	---	---	----