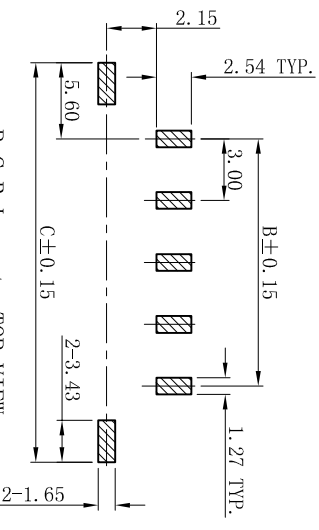
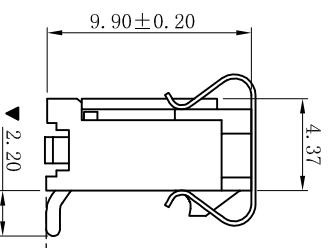
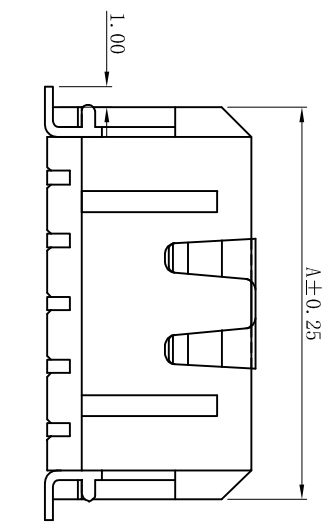
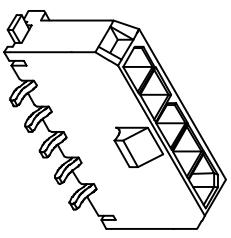
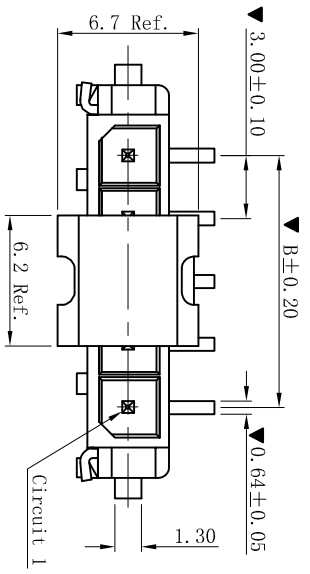
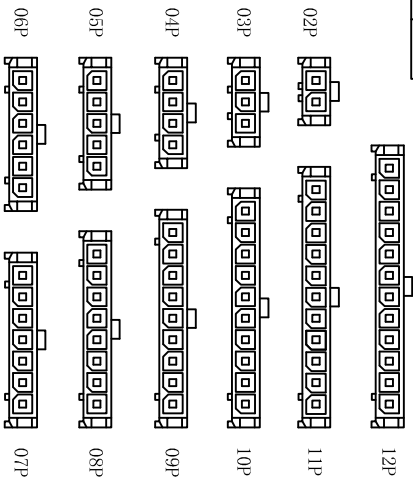


ROHS



P.C.B Layout: TOP VIEW  
Tolerance: ±0.05mm



CIRCUIT SIZE LAYOUT

■ SPECIFICATIONS

- Voltage rating: 250V AC, DC
- Current rating: 5A, AC, DC
- Withstanding Voltage: 1000V AC/minute
- Insulation resistance: 1000MΩ min
- Temperature range: -40° C~+105° C
- Contact resistance: 20mΩ max

■ WAFER

- Part No. : W3045SV-NP
- Poles : 02-12P
- Housing Material: LCP UL94V-0 Black
- Ter Material: Brass
- Solder Tabs Material: Brass
- Contact Area Plating: Matte tin-Plated
- The Dimension Marked “▼” Must Be Recorded

Poles	Dimensions(mm)		
	A	B	C
02	9.65	3.00	14.20
03	12.65	6.00	17.20
04	15.65	9.00	20.20
05	18.65	12.00	23.20
06	21.65	15.00	26.20
07	24.65	18.00	29.20
08	27.65	21.00	32.20
09	30.65	24.00	35.20
10	33.65	27.00	38.20
11	36.65	30.00	41.20
12	39.65	33.00	44.20

**XYDZ® 东莞市祥运连接器有限公司**  
Dongguan XiangYun Connectors CO., Ltd

一般公差 GENERAL TOLERANCE:	0±0.30 .00±0.25 .000±0.05
投影法 Projection	第一角投影 1 <sup>st</sup> ANGLE

Connectors



Molex 3.0mm SMT 180° 焊片式  
Wafer Connector Series

更新/DR	2019-06-03	PPD	PPD
审核/CHECK	2018-12-12	PPD	PPD
批准/APPRO	2019-06-03	PPD	PPD
日期/DATE	2019-06-03	PPD	PPD

绘图/DR	2019-06-03	PPD	PPD
审核/CHECK	2018-12-12	PPD	PPD
批准/APPRO	2019-06-03	PPD	PPD
日期/DATE	2019-06-03	PPD	PPD

品名 (PART NAME)	料号 (PART NO)	状态码
W3045SV-NP	W3045SV-NP	C

更新/DR	2019-06-03	PPD	PPD
审核/CHECK	2018-12-12	PPD	PPD
批准/APPRO	2019-06-03	PPD	PPD
日期/DATE	2019-06-03	PPD	PPD