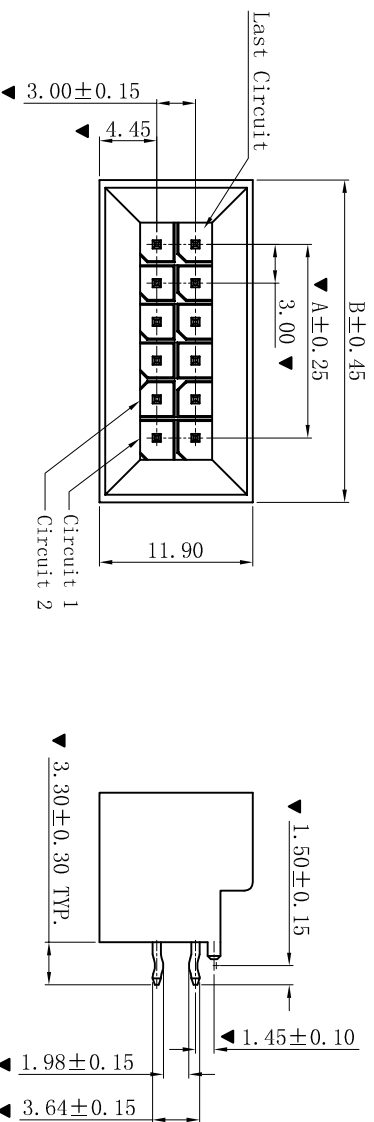
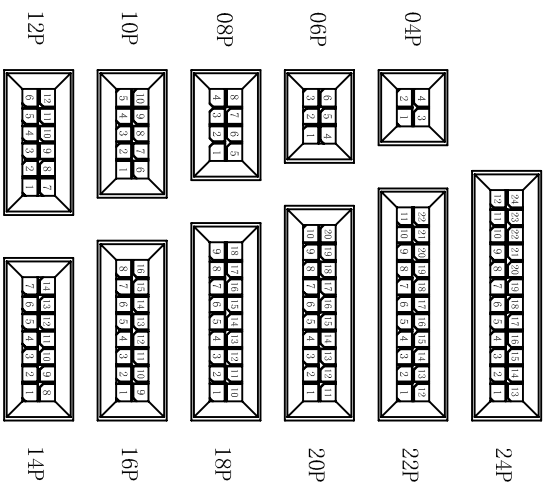
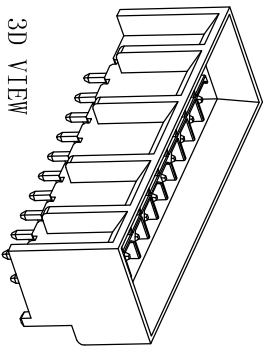
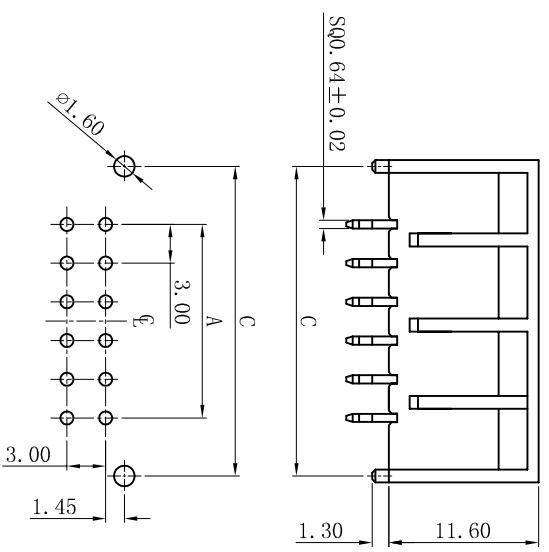


ROHS



- SPECIFICATIONS**
- Voltage rating: 250V AC, DC
  - Current rating: 5A, AC, DC
  - Withstanding Voltage: 1000V AC/minute
  - Insulation resistance: 1000MΩ min
  - Temperature range: -25° C +85° C
  - Contact resistance: 20mΩ max
- WAFER**
- Part No.: W3045LBKV-2xNP
  - Poles: 04-24P
  - Housing Material: PA9T UL94V-0 Black
  - Pin Material: Brass
  - Contact Area Plating: Tin-Plated
  - The Dimension Marked “▼” Must Be Recorded



PART NO.	Dimensions (mm)		
	A	B	C
04	3.00	13.00	12.00
06	6.00	16.00	15.00
08	9.00	19.00	18.00
10	12.00	22.00	21.00
12	15.00	25.00	24.00
14	18.00	28.00	27.00
16	21.00	31.00	30.00
18	24.00	34.00	33.00
20	27.00	37.00	36.00
22	30.00	40.00	39.00
24	33.00	43.00	42.00

**XYDZ® 东莞市祥运连接器有限公司**  
Dongguan Xiangyun Connectors CO., Ltd

一般公差  
GENERAL TOLERANCE:  
ANGLE: ±1°

投影法  
Projection

品名  
(PART NAME)

Molex 3.00mm 180° Wafer  
Connector Series

绘图/DR  
审核/CHECK  
批准/APPRO

单位 Unit  
比例/Scale  
大小/SIZE

料号  
(PART NO)

W3045LBKV-2xNP

日期/DATE

日期/DATE

承认 APPRO.

版本号  
新版本  
说明  
DESCRIPTION

版次 REV.

日期/DATE

版次/REV

状态码 C