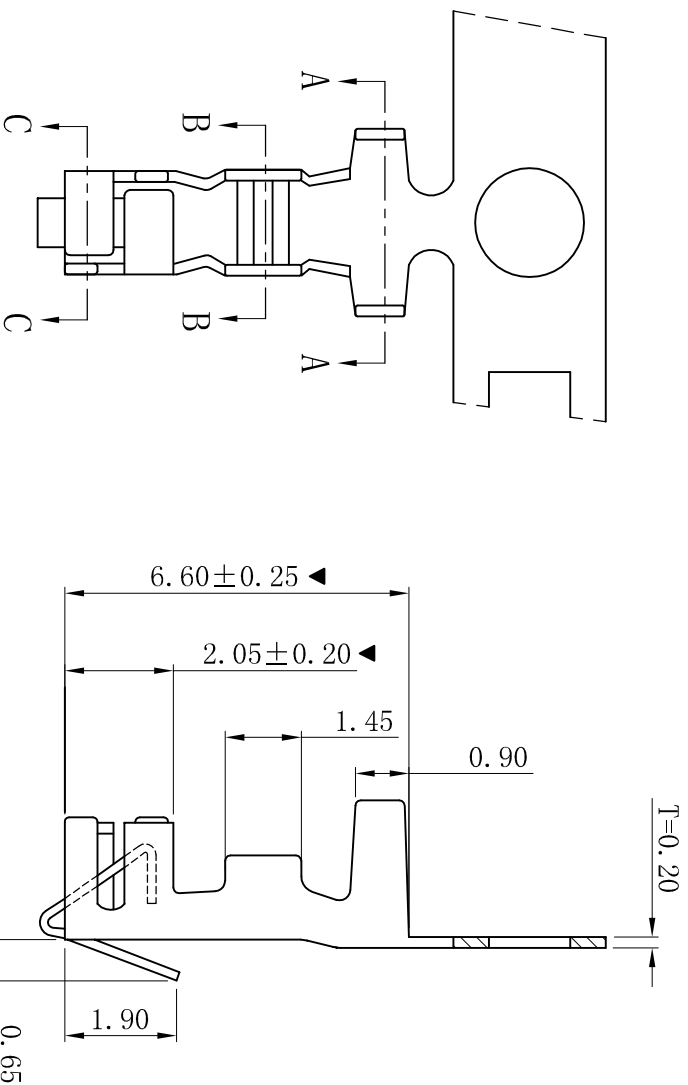
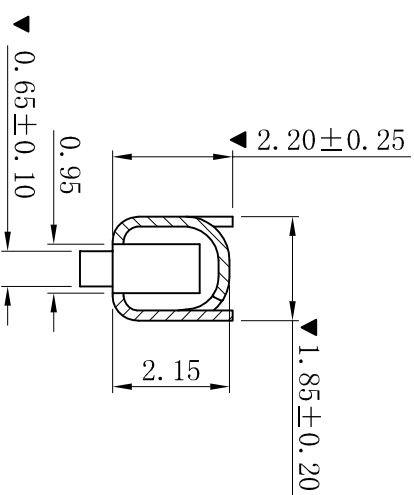


RoHS



SECTION: A-A

SECTION: B-B



SECTION: C-C

- SPECIFICATIONS
- Voltage rating: 500V AC, DC
- Current rating: 3A, AC, DC
- Withstanding Voltage: 1000V AC/minute
- Temperature range: -25° C~+85° C
- Contact resistance: 20mΩ max
- TERMINAL
- Part No.: T2518FPT
- Applicable wire: AWG#22-#28
- Material: Phosphor Bronze
- Finish: Tin-Plated
- The Dimension Marked “▼” Must Be Recorded

更新图面		2019-06-03		陈雄军		一般公差 GENERAL TOLERANCE:		0±0.30 .0±0.25 .00±0.20 .000±0.05		投影法 Projection		品名 (PART NAME)		YH2.50mm Female Terminal	
修打版本		2015-11-04		陈雄军		绘图/DR		.00±0.25 ANGLE: ±1°		单位 Unit		(PART NAME)		Connector Series	
变更图览格式内容		2013-12-27		陈雄军		审核/CHKC		.00±0.25		比例/Scale		YH2.50mm Female Terminal		Connector Series	
新版本		2011-05-24		陈雄军		核准/APPRO		.00±0.25		大小/SIZE		料号 (PART NO)		T2518FPT	
说明		日期		承认		日期/DATE		2019-06-03		页码/SHEET		料号 (PART NO)		T2518FPT	
版次 REV.		DESCRIPTION		APPRO.		日期/DATE		2019-06-03		版本/REV		料号 (PART NO)		T2518FPT	
1		2		3		4		5		6		7		8	
1		2		3		4		5		6		7		8	

XYDZ® 东莞市祥运连接器有限公司
Dongguan XiangYun Connectors CO., Ltd

品名 (PART NAME)
YH2.50mm Female Terminal
Connector Series

料号 (PART NO)
T2518FPT