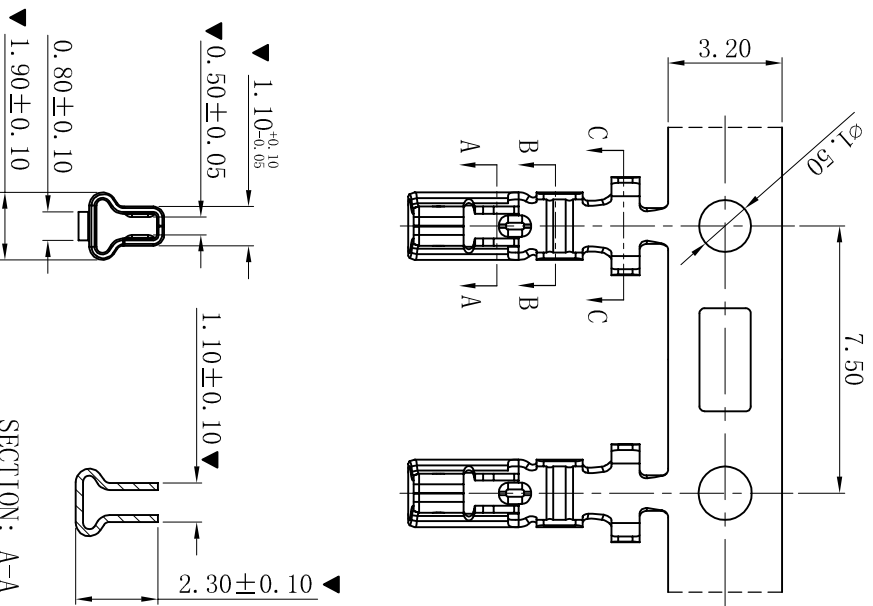
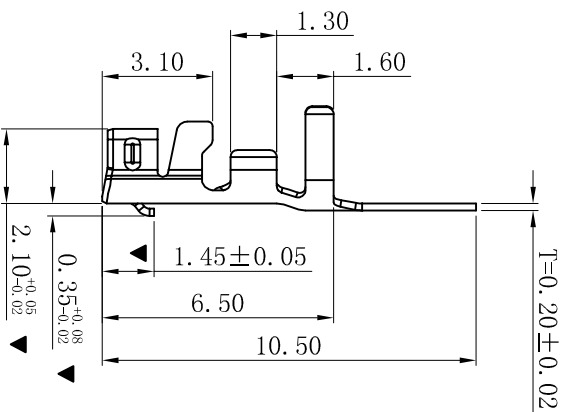


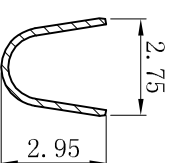
RoHS



SECTION: A-A



SECTION: B-B



SECTION: C-C

■ SPECIFICATIONS

- Voltage rating: 250V AC, DC
- Current rating: 3A, AC, DC
- Withstanding Voltage: 1000V AC/minute
- Temperature range: -25° C~+85° C
- Contact resistance: 20mΩ max

■ TERMINAL

- Part No. : T2509PT
- Applicable wire: AWG#22-#28
- Material: Phosphor Bronze
- Finish: 80u"Min All Tin-Plated, 30u"Min Nickel Bottom-Plated.
- The Dimension Marked "▼" Must Be Recorded

一般公差 GENERAL TOLERANCE:	0±0.30 .0±0.25 .000±0.20 ANGLE: ±1°
绘图/DR	P.P. Duwa
审核/CHECK	陈雄军
批准/APPRO	胡进

投影法 Projection		品名 (PART NAME)	XA 2.50mm Terminal Connector Series
单位 Unit	MM		
比例/Scale	1:1	料号 (PART NO)	T2509PT
大小/SIZE	A4		
页码/SHEET	1/1	状态码	C
版本/Rev	B		

**XYDZ® 东莞市祥运连接器有限公司**  
Dongguan XiangYun Connectors CO., Ltd

更新图面	2019-06-03	P.P. Duwa	
新版本	2018-08-31	P.P. Duwa	
说明	日期	承认	
DESCRIPTION	DATE:	APPRO.	

版次 REV.	1	2	3	4	5	6	7	8	9	10
------------	---	---	---	---	---	---	---	---	---	----