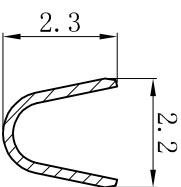
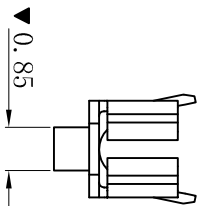
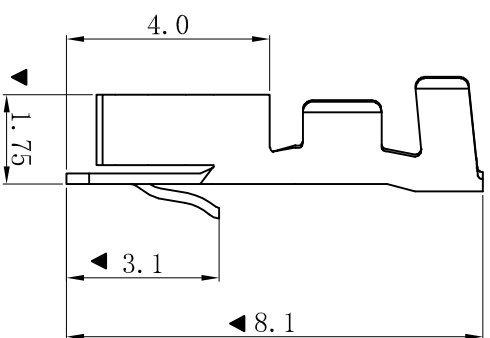
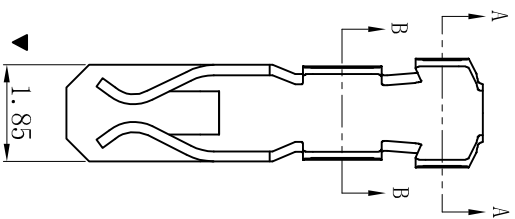
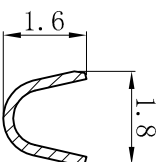


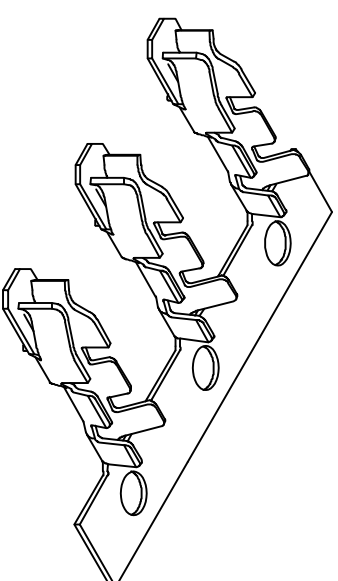
RoHS



SECTION A-A



SECTION B-B



■ SPECIFICATIONS

- Voltage rating: 250V AC, DC
- Current rating: 3A, AC, DC
- Withstanding Voltage: 1000V AC/minute
- Temperature range: -25° C~+85° C
- Contact resistance: 20mΩ max

■ TERMINAL

- Part No. : T2501KFPT
- Applicable wire: AWG#22-#28
- Material: Phosphor Bronze
- Finish: Tin-Plated
- The Dimension Marked “▼” Must Be Recorded

一般公差 GENERAL TOLERANCE:	0±0.30 .0±0.25 .000±0.05
ANGLE: ±1°	

投影法 Projection	第一角投影 First Angle Projection
单位 Unit	MM
比例/Scale	1:1
大小/Size	A4
页码/Sheet	1/1
版本/Rev	B

XYDZ® 东莞市祥运连接器有限公司
Dongguan XiangYun Connectors CO., Ltd

品名 (PART NAME) SMH 2.50mm Female Terminal

料号 (PART NO) T2501KFPT

状态码 C

更新图面	2019-06-03	DR. Duuu
新版本	2017-10-24	Jeff
说明	日期	承认
DESCRIPTION	DATE:	APPRO.

版次 REV.	1	2	3	4	5	6	7	8	9	10
------------	---	---	---	---	---	---	---	---	---	----