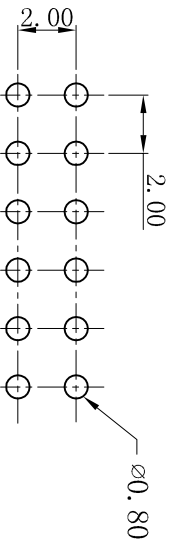
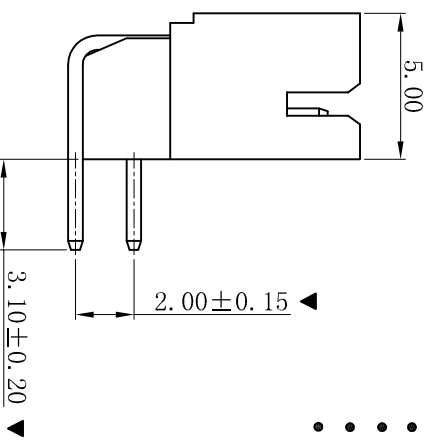
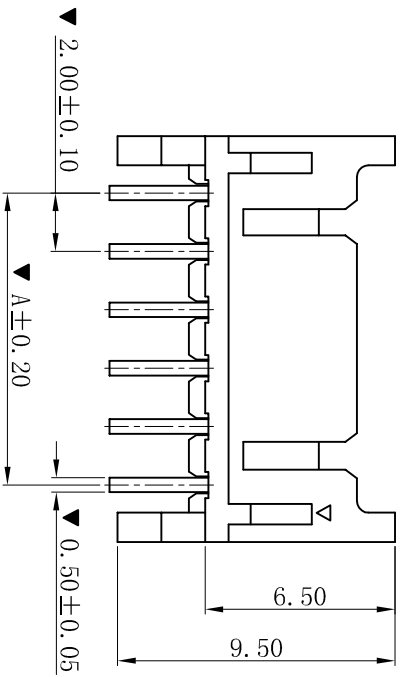
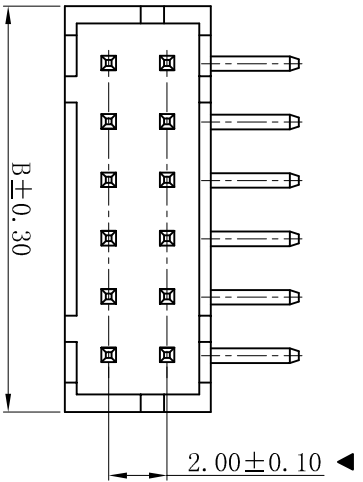


RoHS



P. C. B LAYOUT

- SPECIFICATIONS
- Voltage rating: 250V AC, DC
 - Current rating: 3A, AC, DC
 - Withstanding Voltage: 1000V AC/minute
 - Insulation resistance: 1000MΩ min
 - Temperature range: -25° C +85° C
 - Contact resistance: 20mΩ max

- WAFER
- Part No. : W2011R-2xNP
 - Poles : 04-40P
 - Housing Material: PA66 UL94V-0
 - Pin Material: Brass
 - Contact Area Plating: Tin-Plated
 - The Dimension Marked “▼” Must Be Recorded

| Poles | Dimension (mm) | |
|-------|----------------|-------|
| | A | B |
| 2x02 | 2.00 | 6.00 |
| 2x03 | 4.00 | 8.00 |
| 2x04 | 6.00 | 10.00 |
| 2x05 | 8.00 | 12.00 |
| 2x06 | 10.00 | 14.00 |
| 2x07 | 12.00 | 16.00 |
| 2x08 | 14.00 | 18.00 |
| 2x09 | 16.00 | 20.00 |
| 2x10 | 18.00 | 22.00 |
| 2x11 | 20.00 | 24.00 |
| 2x12 | 22.00 | 26.00 |
| 2x13 | 24.00 | 28.00 |
| 2x14 | 26.00 | 30.00 |
| 2x15 | 28.00 | 32.00 |
| 2x16 | 30.00 | 34.00 |
| 2x17 | 32.00 | 36.00 |
| 2x18 | 34.00 | 38.00 |
| 2x19 | 36.00 | 40.00 |
| 2x20 | 38.00 | 42.00 |

| | | | | | | |
|---|------------|-------------------|--------------|--|---------|------------------|
| D | 更新图面 | 2019-06-03 | 陈雄军 | 一般公差 GENERAL TOLERANCE: 0±0.30 .0±0.25 .000±0.20 ANGLE: ±1° | 审核/DATE | 胡进 2019-06-03 |
| C | 修订版本 | 2015-11-04 | 陈雄军 | 绘图/DR | 日期/DATE | 2019-06-03 |
| B | 变更图宽格式内容 | 2013-12-27 | 陈雄军 | 审核/CHKC | 日期/DATE | 2019-06-03 |
| A | 新版本 | 2011-05-24 | 陈雄军 | 核准/APPRO | 日期/DATE | 2019-06-03 |
| H | 版次 REV. | 说明 DESCRIPTION | 承认 APPRO. | 投影法 Projection | 日期/DATE | 2019-06-03 |

XYDZ® 东莞市祥运连接器有限公司
Dongguan XiangYun Connectors CO., Ltd

| | |
|-------------------|---|
| 品名 (PART NAME) | DF11 2.00mm 90° Wafer Connector Series |
| 料号 (PART NO) | W2011R-2xNP |
| 单位 Unit | MM |
| 比例/Scale | 1:1 |
| 大小/SIZE | A4 |
| 页码/SHEET | 1/1 |
| 版本/Rev | D |
| 状态码 | C |