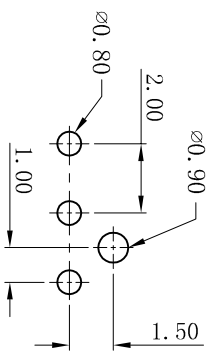
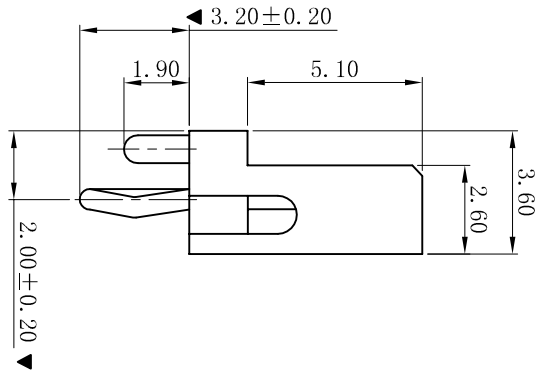
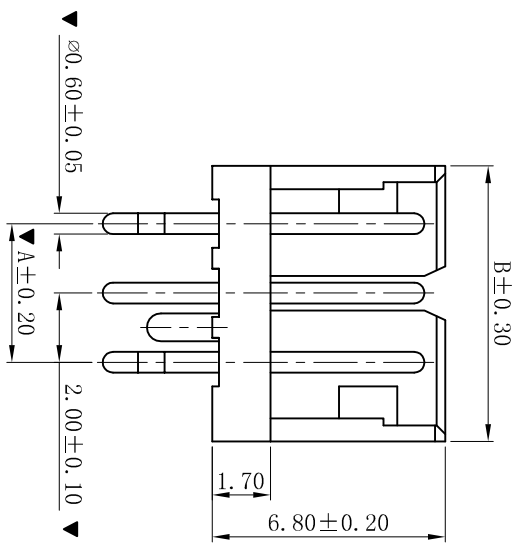
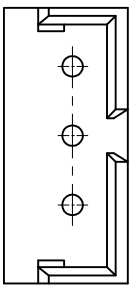


RoHS



P. C. B. LAYOUT

■ SPECIFICATIONS

- Voltage rating: 125V AC, DC
- Current rating: 2.5A, AC, DC
- Withstanding Voltage: 800V AC/minute
- Insulation resistance: 1000MΩ min
- Temperature range: -25° C~+85° C
- Contact resistance: 20mΩ max

■ WAFER

- Part No. : W2009VD-NP
- Poles : 02-15P
- Housing Material : PA66 UL94V-0
- Pin Material : Brass
- Contact Area Plating : Tin-Plated
- The Dimension Marked “▼” Must Be Recorded

Poles	Dimensions (mm)	
	A	B
02	2.00	6.00
03	4.00	8.00
04	6.00	10.00
05	8.00	12.00
06	10.00	14.00
07	12.00	16.00
08	14.00	18.00
09	16.00	20.00
10	18.00	22.00
11	20.00	24.00
12	22.00	26.00
13	24.00	28.00
14	26.00	30.00
15	28.00	32.00

**XYDZ® 东莞市祥运连接器有限公司**  
 Dongguan XiangYun Connectors CO., Ltd

一般公差 GENERAL TOLERANCE:	0±0.30 .0±0.25 .000±0.20
ANGLE: ±1°	

更新图面	2019-06-03	陈雄军
修订版本	2015-11-04	陈雄军
变更图宽格式内容	2013-12-27	陈雄军
新版本	2011-05-24	陈雄军
说明	日期	承认
DESCRIPTION	DATE:	APPRO.

投影法	第一角
单位 Unit	MM
比例/Scale	1:1
大小/Size	A4
页码/SHEET	1/1
版本/Rev	D

品名 (PART NAME)	AMP 2.00mm 180° Wafer Connector Series
料号 (PART NO)	W2009VD-NP
状态码	C

版次 REV.	1	2	3	4	5	6	7	8	9	10
------------	---	---	---	---	---	---	---	---	---	----