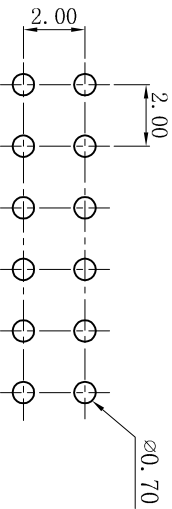
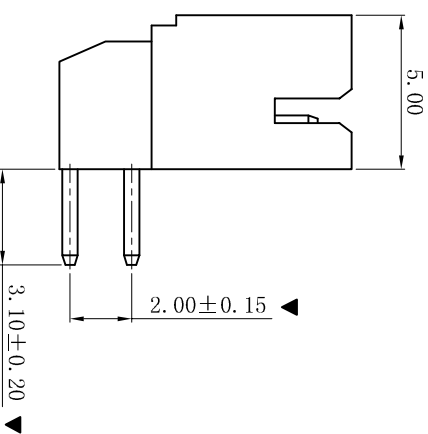
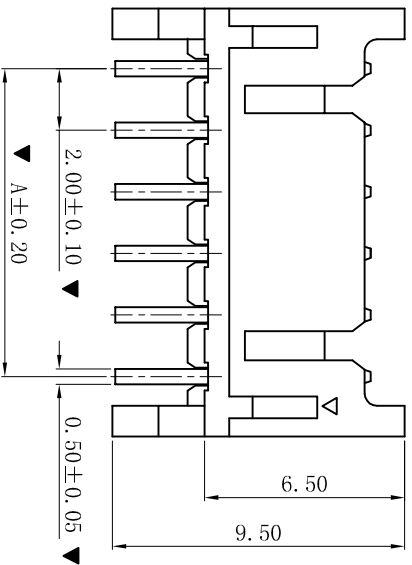
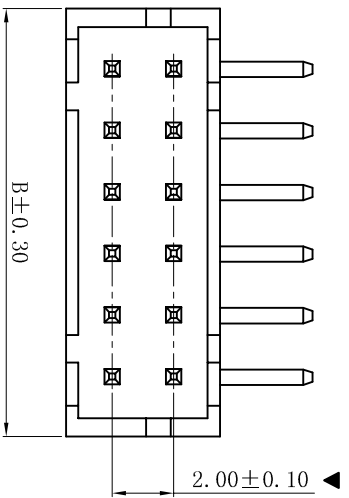


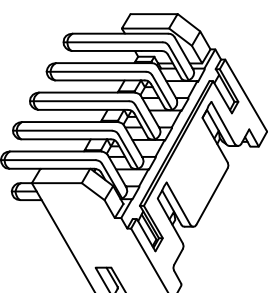
RoHS



P. C. B LAYOUT

- SPECIFICATIONS
- Voltage rating: 250V AC, DC
  - Current rating: 3A, AC, DC
  - Withstanding Voltage: 800V AC/minute
  - Insulation resistance: 1000MΩ min
  - Temperature range: -25° C ~ +85° C
  - Contact resistance: 20mΩ max
- WAFER
- Part No. : W2005R-2xNP
  - Poles : 04-40P
  - Housing Material: PA66 UL94V-0
  - Pin Material: Brass
  - Contact Area Plating: Tin-Plated
  - The Dimension Marked “▼” Must Be Recorded

PART NO.	Dimension (mm)	
	A	B
2x02	2.00	6.00
2x03	4.00	8.00
2x04	6.00	10.00
2x05	8.00	12.00
2x06	10.00	14.00
2x07	12.00	16.00
2x08	14.00	18.00
2x09	16.00	20.00
2x10	18.00	22.00
2x11	20.00	24.00
2x12	22.00	26.00
2x13	24.00	28.00
2x14	26.00	30.00
2x15	28.00	32.00
2x16	30.00	34.00
2x17	32.00	36.00
2x18	34.00	38.00
2x19	36.00	40.00
2x20	38.00	42.00



**XYDZ® 东莞市祥运连接器有限公司**  
 Dongguan XiangYun Connectors CO., Ltd

一般公差 GENERAL TOLERANCE:	0±0.30 .0±0.25 .00±0.20 .000±0.05
绘图/DR	陈雄军
审核/CHECK	陈雄军
批准/APPRO	胡进
日期/DATE	2019-06-03

投影法  
Projection

单位 Unit  
MM

比例/Scale  
1:1

大小/Size  
A4

页码/Sheet  
1/1

版本/Rev  
D

品名 (PART NAME)	PHD 2.00mm 90° Wafer Connector Series
料号 (PART NO)	W2005R-2xNP
状态码	C

更新图面

2019-06-03  
陈雄军

修订版本

2015-11-04  
陈雄军

变更图宽格式内容

2013-12-27  
陈雄军

新版本

2011-05-24  
陈雄军

说明

承认

DESCRIPTION

日期 DATE

日期/DATE

版次 REV.

1

2

3

4

5

6

7

8

9

10