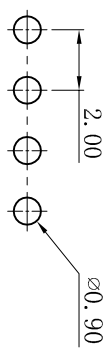
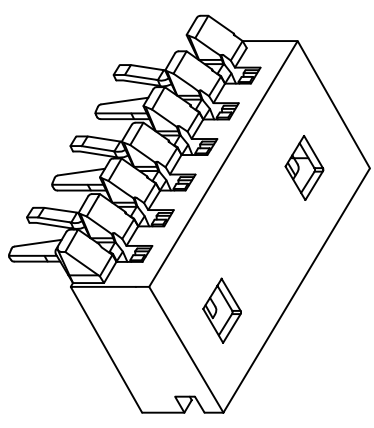
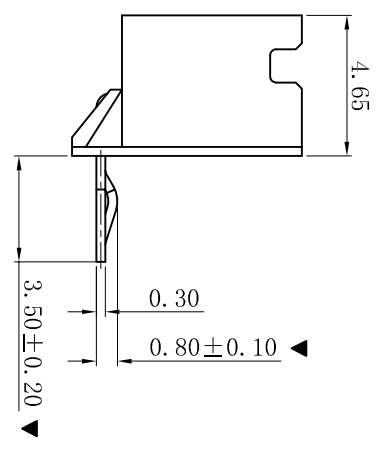
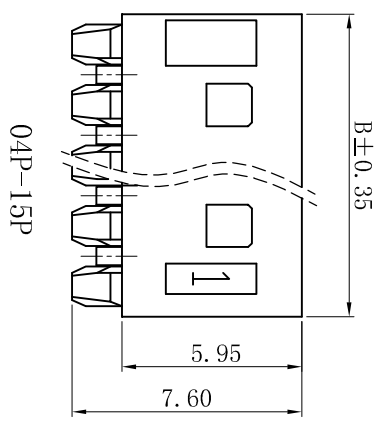
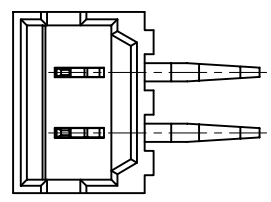
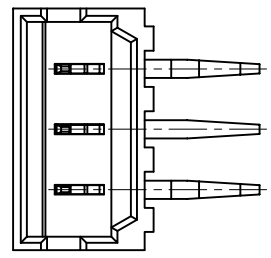
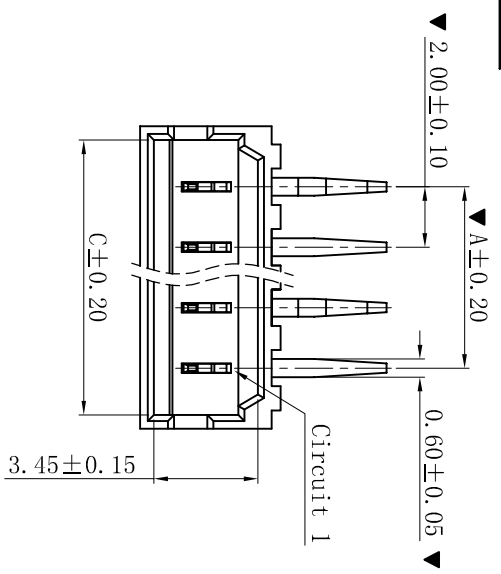


ROHS



P.C.B LAYOUT

■ SPECIFICATIONS

- Voltage rating: 125V AC, DC
- Current rating: 2A, AC, DC
- Withstanding Voltage: 800V AC/minute
- Insulation resistance: 1000MΩ min
- Temperature range: -25° C +85° C
- Contact resistance: 10mΩ max

■ WAFER

- Part No. : W2002R-NP-9T
- Poles : 02-04P
- Housing Material: PA9T UL94V-0
- Pin Material: Brass
- Contact Area Plating: Tin-Plated
- The Dimension Marked "▲" Must Be Recorded

G

D	更新图面	2019-06-03	陈雄军	一般公差 GENERAL TOLERANCE: ANGLE: ±1°	0±0.30 .0±0.25 .000±0.20 ▲	
C	修订版本	2015-11-04	陈雄军	绘图/DR	陈雄军	
B	变更图宽格式内容	2013-12-27	陈雄军	审核/CHECK	陈雄军	
A	新版本	2011-05-24	陈雄军	核准/APPRO	胡进	
H	版次 REV.	说明 DESCRIPTION	日期 DATE	承认 APPRO.	日期/DATE	2019-06-03

XYDZ® 东莞市祥运连接器有限公司
Dongguan XiangYun Connectors CO., Ltd

Poles	Dimensions (mm)		
	A	B	C
02	2.00	6.00	5.10
03	4.00	8.00	7.10
04	6.00	10.00	9.10

投影法
Projection
单位 Unit
MM
比例/Scale
1:1
大小/Size
A4
页码/Sheet
1/1
版本/Rev
D

品名
(PART NAME)
Molex 2.00mm 90° Wafer
Connector Series

料号
(PART NO)
W2002R-NP-9T

状态码
C

H

1	2	3	4	5	6	7	8	9	10
---	---	---	---	---	---	---	---	---	----

1	2	3	4	5	6	7	8	9	10
---	---	---	---	---	---	---	---	---	----