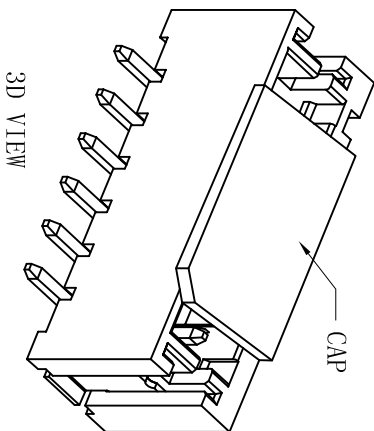
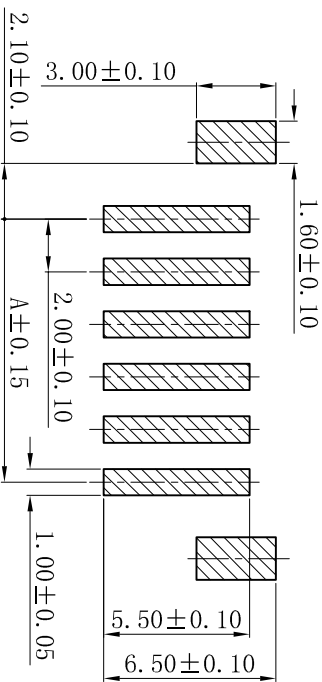
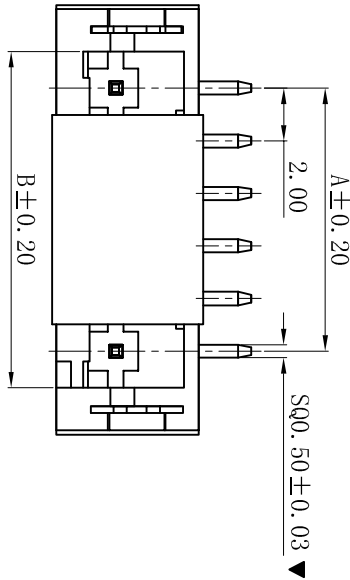
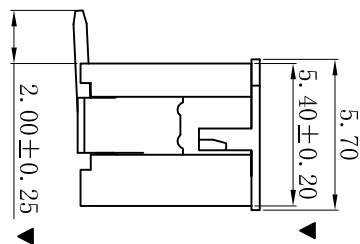
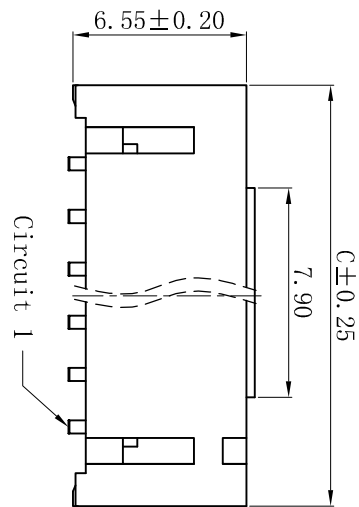


RoHS



■ SPECIFICATIONS

- Voltage rating: 100V AC, DC
- Current rating: 2A, AC, DC
- Withstanding Voltage: 800V AC/minute
- Insulation resistance: 1000MΩ min
- Temperature range: -25°C~+85°C
- Contact resistance: 20mΩ max

■ WAFER

- Part No. : W2001SV-NP-CAP-Q
- Poles : 02-16P
- Housing Material: PA4T UL94V-0
- Pin Material: Brass
- Solder Tabs Material: Phosphor Bronze
- Contact Area Plating: Tin-Plated
- The Dimension Marked “▼” Must Be Recorded

| Part No. | Dimension (mm) | | |
|----------|----------------|-------|-------|
| | A | B | C |
| 02 | 2.00 | 4.70 | 8.00 |
| 03 | 4.00 | 6.70 | 10.00 |
| 04 | 6.00 | 8.70 | 12.00 |
| 05 | 8.00 | 10.70 | 14.00 |
| 06 | 10.00 | 12.70 | 16.00 |
| 07 | 12.00 | 14.70 | 18.00 |
| 08 | 14.00 | 16.70 | 20.00 |
| 09 | 16.00 | 18.70 | 22.00 |
| 10 | 18.00 | 20.70 | 24.00 |
| 11 | 20.00 | 22.70 | 26.00 |
| 12 | 22.00 | 24.70 | 28.00 |
| 13 | 24.00 | 26.70 | 30.00 |
| 14 | 26.00 | 28.70 | 32.00 |
| 15 | 28.00 | 30.70 | 34.00 |
| 16 | 30.00 | 32.70 | 36.00 |

XYDZ® 东莞市祥运连接器有限公司
Dongguan XiangYun Connectors CO., Ltd

| | |
|----------------------------|---------------------------------|
| 一般公差 GENERAL TOLERANCE: | 0±0.30 .00±0.25 .000±0.05 |
| 投影法 Projection: | 第一角投影 1 st Angle |
| 角度: ±1° | |

| | |
|----------|------------|
| 绘图/DR | 陈雄军 |
| 审核/CHECK | 胡进 |
| 批准/APPRO | |
| 日期/DATE | 2019-06-03 |

| | |
|----------|-----|
| 单位 Unit | MM |
| 比例/Scale | 1:1 |
| 大小/Size | A4 |
| 页码/Sheet | 1/1 |
| 版本/Rev | B |

品名 (PART NAME) PH 2.00mm SWT 180° Wafer
Connector Series

料号 (PART NO) W2001SV-NP-CAP-Q

状态码 C

| | | | |
|------|------------|----------|----------|
| 更新图面 | 2019-06-03 | PP/ Duuu | PP/ Duuu |
| 新版本 | 2018-09-27 | PP/ Duuu | PP/ Duuu |
| 说明 | | | |
| 版次 | | | |
| REV. | | | |

| | |
|---------|------------|
| 日期/DATE | 2019-06-03 |
| 承认 | PP/ Duuu |

| | |
|---------|------------|
| 日期/DATE | 2019-06-03 |
| 承认 | PP/ Duuu |

| | |
|----------------|--------------------------|
| 品名 (PART NAME) | PH 2.00mm SWT 180° Wafer |
| 料号 (PART NO) | W2001SV-NP-CAP-Q |
| 状态码 | C |