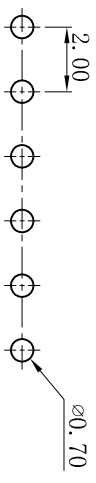
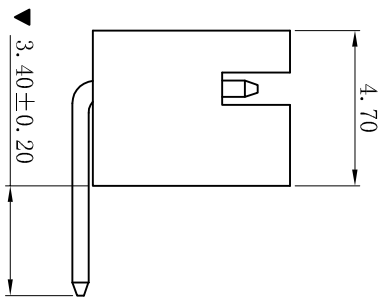
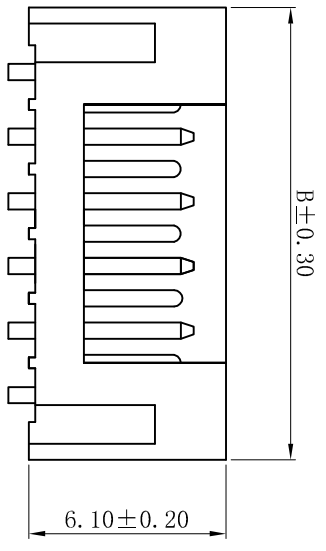
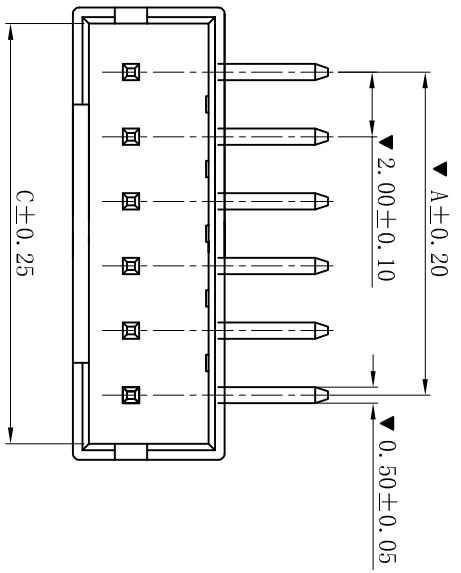


RoHS



P. C. B LAYOUT

- SPECIFICATIONS**
- Voltage rating: 100V AC, DC
 - Current rating: 2A, AC, DC
 - Withstanding Voltage: 800V AC/minute
 - Insulation resistance: 1000MΩ min
 - Temperature range: -25° C ~ +85° C
 - Contact resistance: 20mΩ max
- WAFER**
- Part No. : W2001RB-NP-XJ
 - Poles : 02-16P
 - Housing Material: PA66 UL94V-0
 - Pin Material: Brass
 - Contact Area Plating: Tin-Plated
 - The Dimension Marked “▼” Must Be Recorded

Poles	Dimension (mm)		
	A	B	C
02	2.00	6.00	5.00
03	4.00	8.00	7.00
04	6.00	10.00	9.00
05	8.00	12.00	11.00
06	10.00	14.00	13.00
07	12.00	16.00	15.00
08	14.00	18.00	17.00
09	16.00	20.00	19.00
10	18.00	22.00	21.00
11	20.00	24.00	23.00
12	22.00	26.00	25.00
13	24.00	28.00	27.00
14	26.00	30.00	29.00
15	28.00	32.00	31.00
16	30.00	34.00	33.00

XYDZ® 东莞市祥运连接器有限公司
 Dongguan XiangYun Connectors CO., Ltd

更新图面		2019-06-03	陈雄军	一般公差 GENERAL TOLERANCE: 0±0.30 .0±0.25 .00±0.20 .000±0.05 ANGLE: ±1°	绘图/DR	陈雄军	审核/CHCK	陈雄军	日期/DATE	2019-06-03	
修打版本		2015-11-04	陈雄军	投影法 Projection 单位 Unit MM 比例/Scale 1:1 大小/SIZE A4 页码/SHEET 1/1 版本/Rev D	品名 (PART NAME) PH 2.00mm 90° Wafer Connector Series	料号 (PART NO) W2001R-NP-XJ	状态码 C	变更图宽格式内容			
新版本		2011-05-24	陈雄军					说明 DESCRIPTION			
版次 REV.		1									