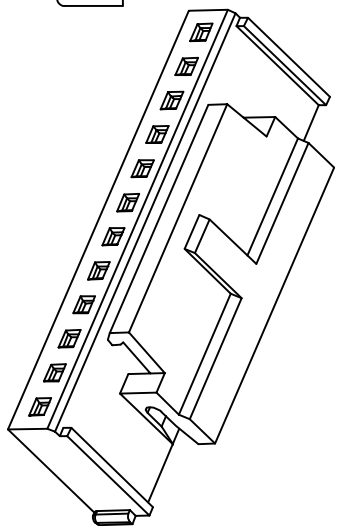
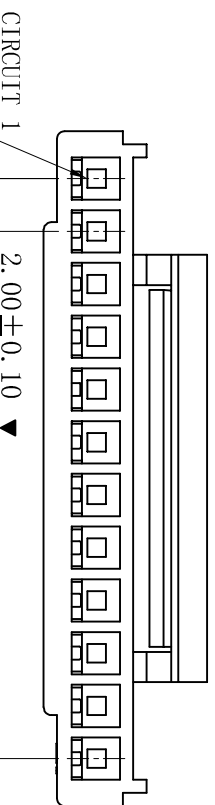
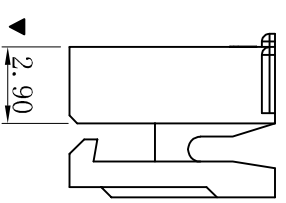
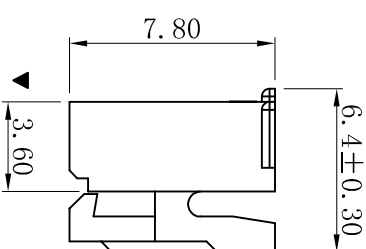
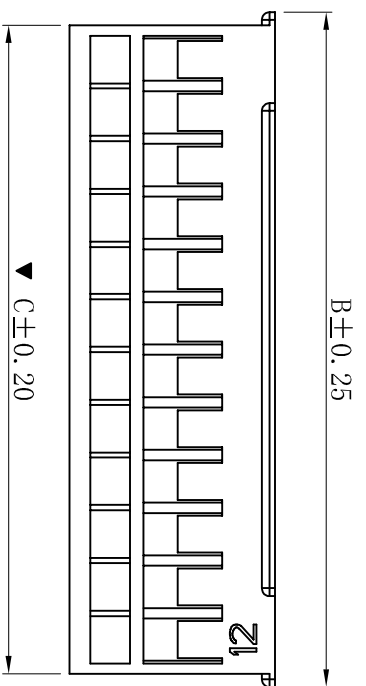


RoHS

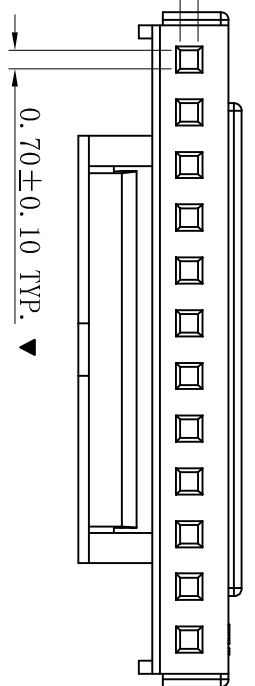


- SPECIFICATIONS
- Voltage rating: 250V AC, DC
  - Current rating: 3A, AC, DC
  - Withstanding Voltage: 1000V AC/minute
  - Insulation resistance: 1000MΩ min
  - Temperature range: -25° C~+85° C
- HOUSING
- Part No.: H2007-NP
  - Poles : 02-16P
  - Housing Material: PA66 UL94V-0
  - The Dimension Marked “▼” Must Be Recorded



03P~16P SHAPE

02P SHAPE



Poles	Dimensions (mm)		
	A	B	C
02	2.00	5.60	4.60
03	4.00	7.60	6.60
04	6.00	9.60	8.60
05	8.00	11.60	10.60
06	10.00	13.60	12.60
07	12.00	15.60	14.60
08	14.00	17.60	16.60
09	16.00	19.60	18.60
10	18.00	21.60	20.60
11	20.00	23.60	22.60
12	22.00	25.60	24.60
13	24.00	27.60	26.60
14	26.00	29.60	28.60
15	28.00	31.60	30.60
16	30.00	33.60	32.60

**XYDZ® 东莞市祥运连接器有限公司**  
 Dongguan XiangYun Connector's CO., Ltd

一般公差 GENERAL TOLERANCE:	0±0.30 .00±0.25 .000±0.05
ANGLE: ±1°	

绘图/DR  
P.P. Duan

审核/CHECK  
陈雄军

批准/APPRO  
胡进

日期/DATE  
2019-06-03

承认/APPRO.  
P.P. Duan

更新图面  
新版本

说明  
DESCRPTION

版次  
REV.

投影法  
Projection

单位 Unit  
MM

比例/Scale  
1:1

大小/Size  
A4

页码/SHEET  
1/1

版本/Rev  
B

品名  
(PART NAME)  
YH 2.00mm Housing

料号  
(PART NO)  
Connector Series

料号  
(PART NO)  
H2007-NP

状态码  
C

1	2	3	4	5	6	7	8	9	10
---	---	---	---	---	---	---	---	---	----