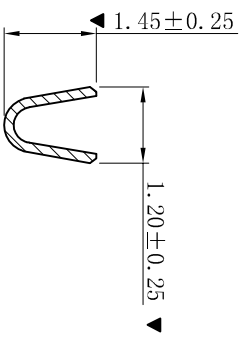
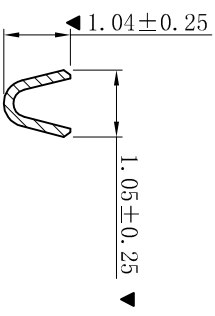
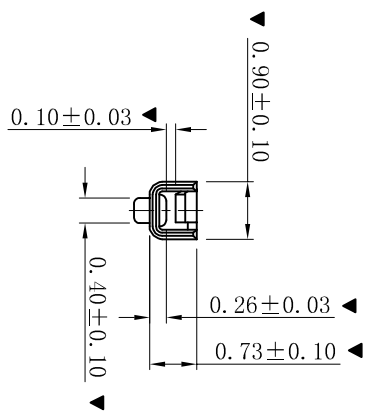
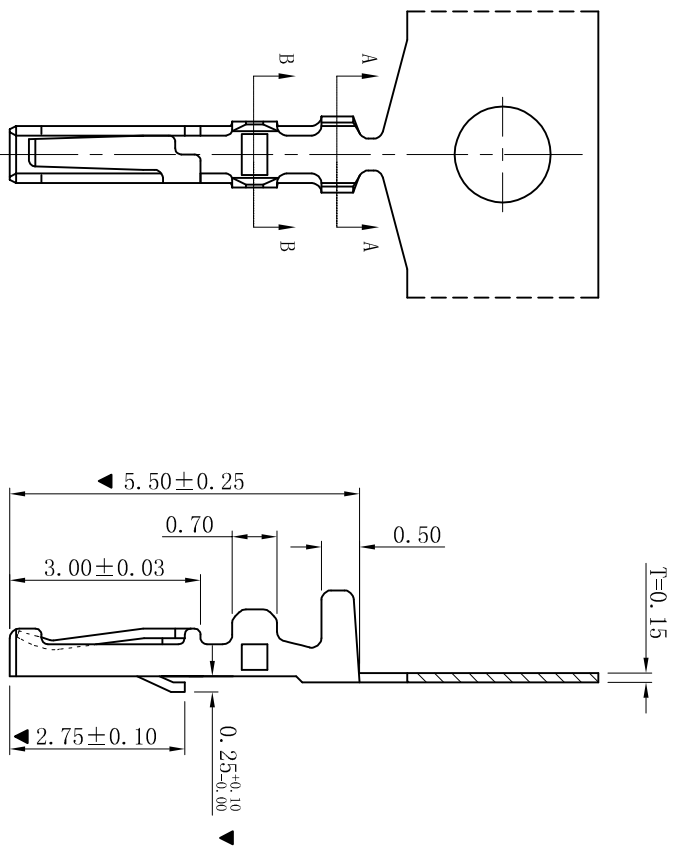


RoHS



SECTION: B-B

SECTION: A-A

- SPECIFICATIONS
- Voltage rating: 50V AC, DC
 - Current rating: 1A, AC, DC
 - Withstanding Voltage: 500V AC/minute
 - Temperature range: -25° C~+85° C
 - Contact resistance: 20mΩ max
- TERMINAL
- Part No.: T1254PT
 - Applicable wire: AWG#28-#30
 - Material: Phosphor Bronze
 - Finish: Tin-Plated
 - The Dimension Marked "▼" Must Be Recorded

| | |
|-------------------------------|--------------------------------|
| 一般公差 GENERAL TOLERANCE: | 0±0.30 .0±0.25 .000±0.05 |
| ANGLE: ±1° | |

XYDZ® 东莞市祥运连接器有限公司
 Dongguan XiangYun Connectors CO., Ltd

| | |
|-------------------|-------|
| 投影法 Projection | 第一角投影 |
| 单位 Unit | MM |
| 比例/Scale | 1:1 |
| 大小/Size | A4 |
| 页码/Sheet | 1/1 |
| 版本/Rev | A |

| | | | | | | | | | |
|-------------|--|------------|--|----------|--|------------|--|-----------------------|--|
| 新版本 | | 2019-06-03 | | PR. Date | | 胡进 | | 51146 1.25mm Terminal | |
| 说明 | | 日期 | | 承认 | | 日期/DATE | | Connector Series | |
| 版次 | | 日期 | | 承认 | | 日期/DATE | | 料号 | |
| REV. | | DATE. | | APPRO. | | 2019-06-03 | | T1254PT | |
| DESCRIPTION | | DATE. | | APPRO. | | 2019-06-03 | | 状态码 | |
| 1 | | 2 | | 3 | | 4 | | C | |