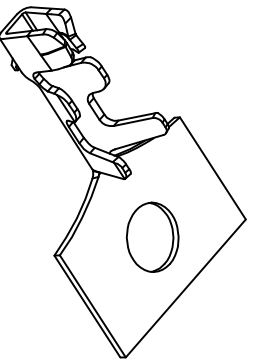
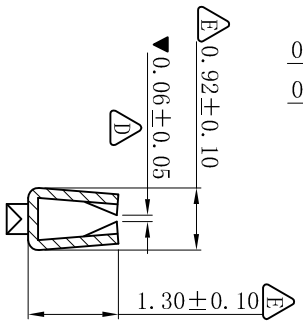
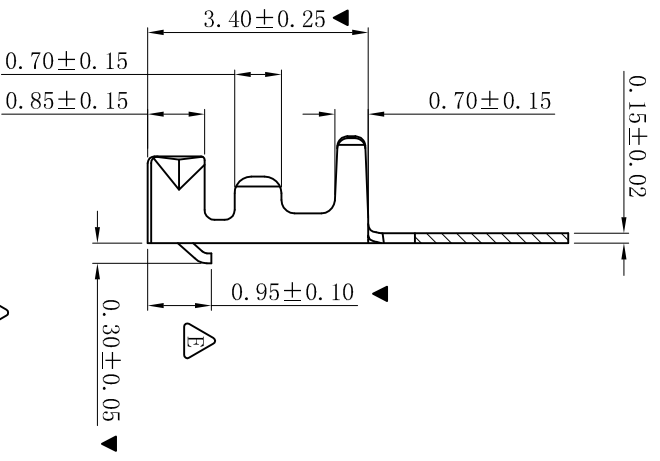
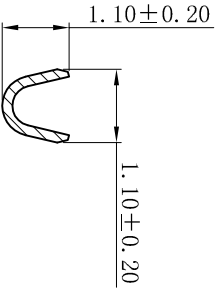
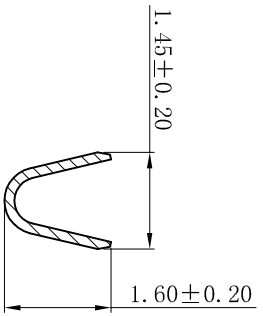
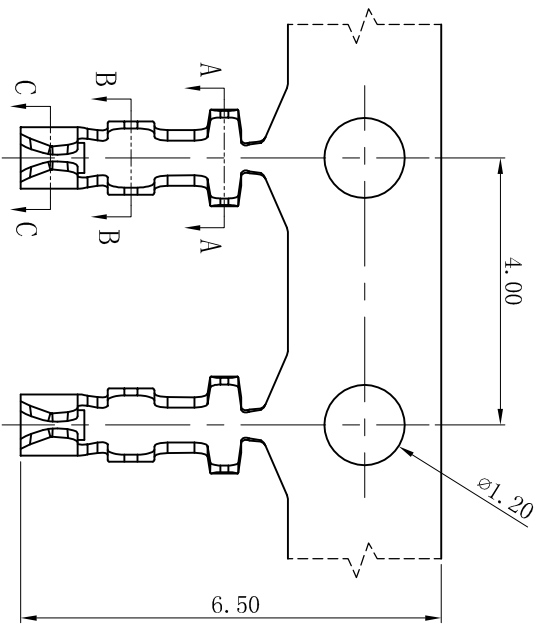


ROHS



- SPECIFICATIONS**
- Voltage rating: 125V AC, DC
  - Current rating: 1A, AC, DC
  - Withstanding Voltage: 250V AC/minute
  - Temperature range: -25°C~+85°C
  - Contact resistance: 20mΩ max
- TERMINAL**
- Part No.: T1250PT
  - Applicable wire: AWG#28-#32
  - Material: Phosphor Bronze
  - Finish: Tin-Plated
  - The Dimension Marked “▼” Must Be Recorded

F	更新图面	2019-06-03	陈雄军	一般公差	0±0.30	投影法	品名	Molex 1.25mm Female Terminal
E	修改插头部/卡点形状尺寸	2018-01-19	陈雄军	GENERAL TOLERANCE:	.00±0.25	第一角画法	(PART NAME)	Connector Series
D	修订0.10尺寸为<math>\varnothing 0.06\text{mm}</math>	2017-11-09	JeFF	ANGLE: ±1°	.000±0.05	单位 Unit	料号	T1250PT
C	修订版本	2015-11-04	陈雄军			比例/Scale	状态码	C
B	变更图宽格式内容	2013-12-27	陈雄军			大小/Size		
A	说明	日期	承认			页码/SHEET		
	DESCRIPTION	DATE	APPRO.			版本/Rev		

**XYDZ® 东莞市祥运连接器有限公司**  
 Dongguan Xiangyun Connector s CO., Ltd

1	2	3	4	5	6	7	8	9	10
---	---	---	---	---	---	---	---	---	----