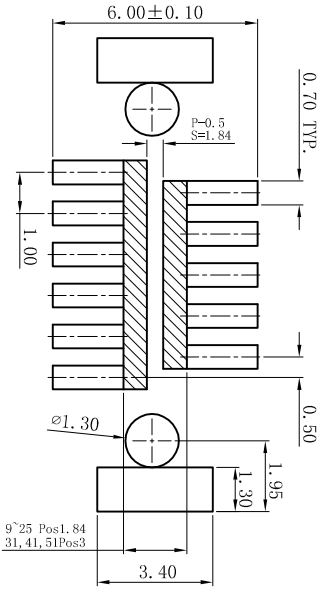
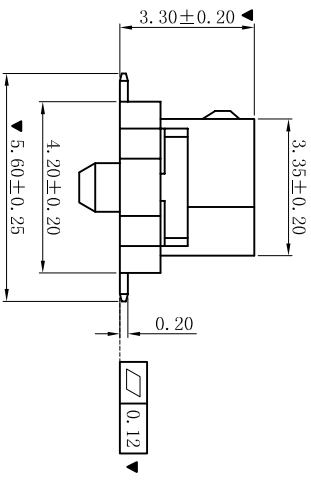
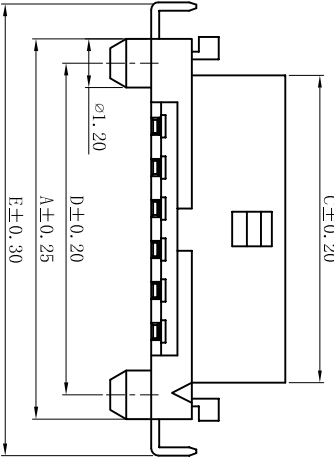
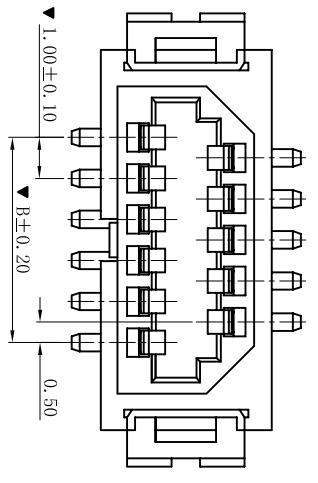


RoHS



P.C.B LAYOUT: TOP VIEW
TOLERANCE: ±0.05mm

- SPECIFICATIONS
- Voltage rating: 150V AC, DC
 - Current rating: 1A, AC, DC
 - Withstanding Voltage: 500V AC/minute
 - Insulation resistance: 500MΩ min
 - Temperature range: -25° C~+85° C
 - Contact resistance: 20mΩ max
- WAFER
- Part No.: W1002SVD-2xNP
 - Poles : 09-51P
 - Housing Material: PA6T UL94V-0
 - Pin Material: Brass
 - Contact Area Plating: Tin-Plated
 - The Dimension Marked “▼” Must Be Recorded

PART NO.	Dimensions (mm)			
	A	B	C	D
09	8.30	4.00	6.55	10.10
11	9.30	5.00	7.55	11.10
13	10.30	6.00	8.55	12.10
15	11.30	7.00	9.55	13.10
17	12.30	8.00	10.55	14.10
19	13.30	9.00	11.55	15.10
21	14.30	10.00	12.55	16.10
23	15.30	11.00	13.55	17.10
25	16.30	12.00	14.55	18.10
31	19.30	15.00	17.55	21.10
41	24.30	20.00	22.55	26.10
51	29.30	25.00	27.55	31.10

XYDZ® 东莞市祥运连接器有限公司
Dongguan XiangYun Connectors CO., Ltd

一般公差 GENERAL TOLERANCE:	0±0.30 .0±0.25 .000±0.20
ANGLE: ±1°	

更新图面	2019-06-03	陈雄军
修订版本	2015-11-04	陈雄军
变更图宽格式内容	2013-12-27	陈雄军
新版本	2011-05-24	陈雄军

版次 REV.	1	说明 DESCRIPTION	日期 DATE	承认 APPRO.
------------	---	-------------------	------------	--------------

投影法 Projection	第一角投影
单位 Unit	MM
比例/Scale	1:1
大小/Size	A4
页码/SHEET	1/1
版本/Rev	D

品名 (PART NAME)	DF9 1.00mm SMT 180° Wafer Connector Series
料号 (PART NO)	W1002SVD-2xNP
状态码	C