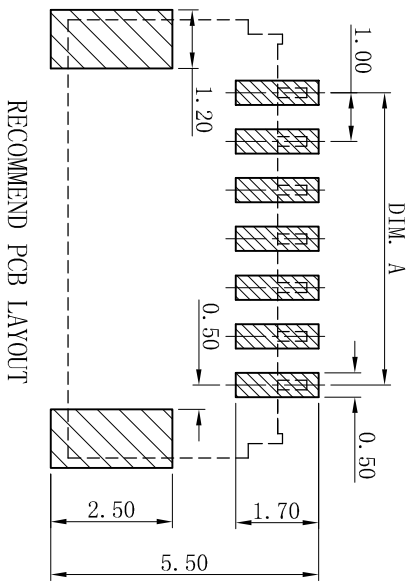
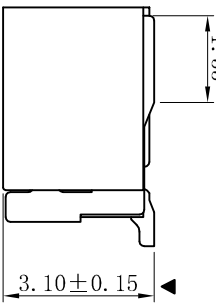
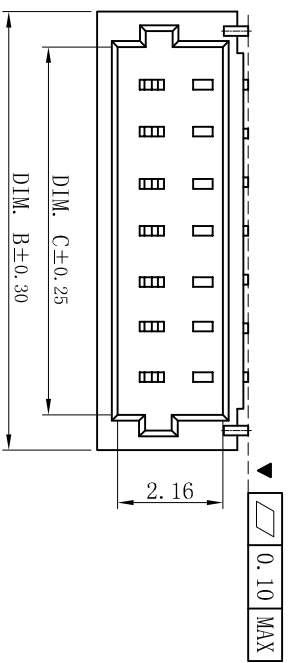
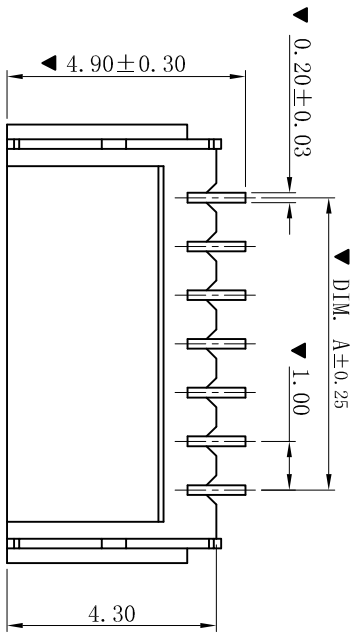


RoHS



- SPECIFICATIONS
- Voltage rating: 50V AC, DC
 - Current rating: 1A, AC, DC
 - Withstanding Voltage: 500V AC/minute
 - Insulation resistance: 100MΩ min
 - Temperature range: -25° C~+105° C
 - Contact resistance: 20mΩ max

- WAFER
- Part No. : W1001SR-NP-JK
 - Poles : 02-20P
 - Housing Material : LCP UL94V-0, COLOR: BEIGE
 - Pin Material : Phosphor Bronze
 - Contact Area Plating: Matte Tin-plated
 - Solder Tab: Phosphor Bronze, Matte Tin-plated
 - The Dimension Marked “▼” Must Be Recorded

Poles	Dimensions (mm)		
	A	B	C
02	1.00	4.00	2.45
03	2.00	5.00	3.45
04	3.00	6.00	4.45
05	4.00	7.00	5.45
06	5.00	8.00	6.45
07	6.00	9.00	7.45
08	7.00	10.00	8.45
09	8.00	11.00	9.45
10	9.00	12.00	10.45
11	10.00	13.00	11.45
12	11.00	14.00	12.45
13	12.00	15.00	13.45
14	13.00	16.00	14.45
15	14.00	17.00	15.45
16	15.00	18.00	16.45
20	19.00	22.00	20.45

XYDZ® 东莞市祥运连接器有限公司
 Dongguan Xiangyun Connectors CO., Ltd

投影法 Projection	MM	品名 (PART NAME)	1.00mm SMT 90° Wafer
单位 Unit	MM	料号 (PART NO)	W1001SR-NP-JK
比例/Scale	1:1	状态码	C
大小/Size	A4		
页码/SHEET	1/1		
版本/Rev	A		

一般公差 GENERAL TOLERANCE:	0±0.30 .0±0.25 .00±0.20 .000±0.05
绘图/DR	陈雄军
审核/CHECK	胡进
批准/APPRO	
日期/DATE	2019-06-20

ANGLE: ±1°	
承认 APPRO.	2019-06-20
说明 DESCRIPTION	新版本
版次 REV.	1

1 2 3 4 5 6 7 8 9 10

A B C D E F G H