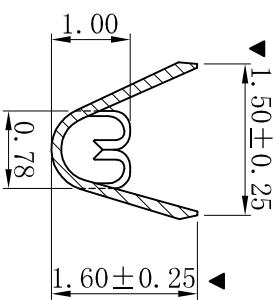
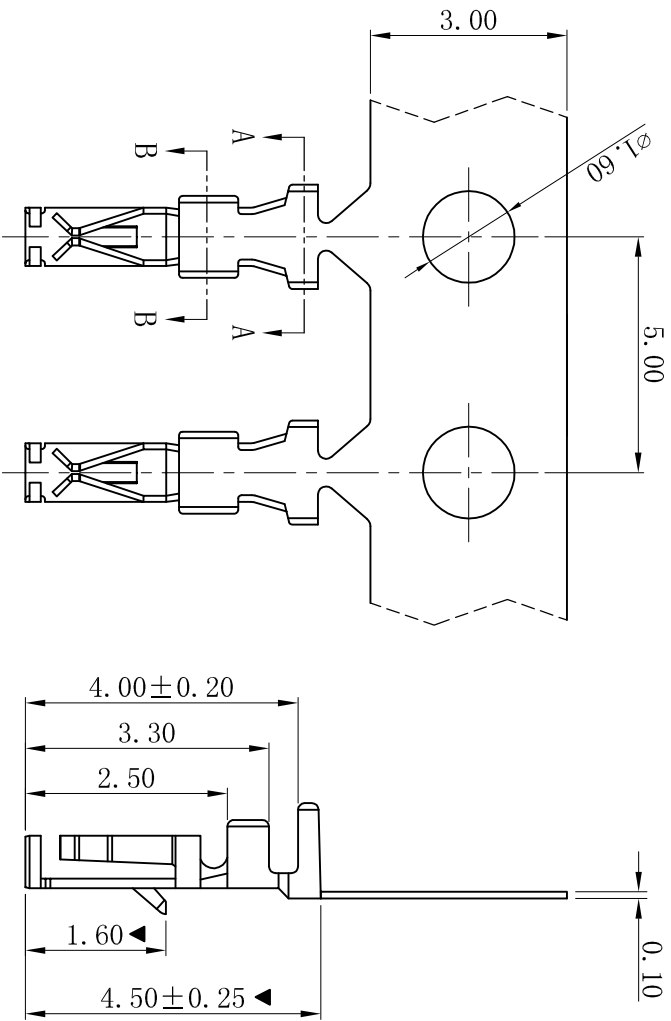
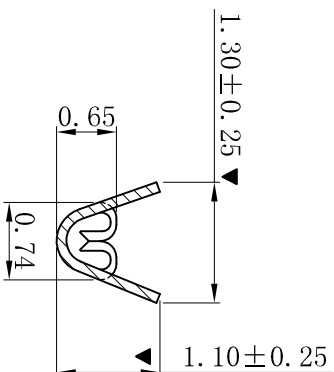


ROHS



SECTION: A-A



SECTION: B-B

■ SPECIFICATIONS

- Voltage rating: 50V AC, DC
- Current rating: 1A, AC, DC
- Withstanding Voltage: 500V AC/minute
- Temperature range: -25°C~+85°C
- Contact resistance: 20mΩ max

■ TERMINAL

- Part No. : T1013PT
- Applicable wire: AWG#28-#32
- Material: Phosphor Bronze
- Finish: Tin-Plated
- The Dimension Marked “▼” Must Be Recorded

|            |  |             |  |        |  |  |  |                                    |  |  |  |
|------------|--|-------------|--|--------|--|--|--|------------------------------------|--|--|--|
| 更新图面       |  | 2019-06-03  |  | 陈雄军    |  | 一般公差<br>GENERAL TOLERANCE:<br>0±0.30<br>.0±0.25<br>.00±0.20<br>.000±0.05<br>ANGLE: ±1° |  | 投影法<br>Projection<br>单位 Unit<br>MM |  | 品名<br>(PART NAME)<br>88252 1.00mm Terminal |  |
| 修订版本       |  | 2015-11-04  |  | 陈雄军    |  | 绘图/DR<br>陈雄军   |  | 比例/Scale<br>1:1                    |  | 料号<br>(PART NO)<br>T1013PT                 |  |
| 变更图宽格式内容   |  | 2013-12-27  |  | 陈雄军    |  | 审核/CHECK<br>胡进   |  | 大小/Size<br>A4                      |  | Connector Series                           |  |
| 新版本        |  | 2011-05-24  |  | 陈雄军    |  | 核准/APPRO<br>MR. feng   |  | 页码/SHEET<br>1/1                    |  | 状态码<br>C                                   |  |
| 说明         |  | 日期          |  | 承认     |  | 日期/DATE<br>2018-04-26  |  | 版本/Rev<br>D                        |  |  |  |
| 版次<br>REV. |  | DESCRIPTION |  | APPRO. |  |  |  |                                    |  |  |  |

XYDZ® 东莞市祥运连接器有限公司  
Dongguan XiangYun Connectors CO., Ltd