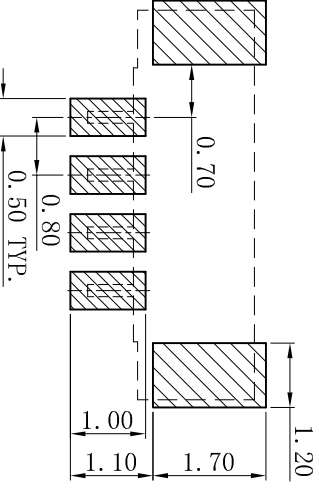
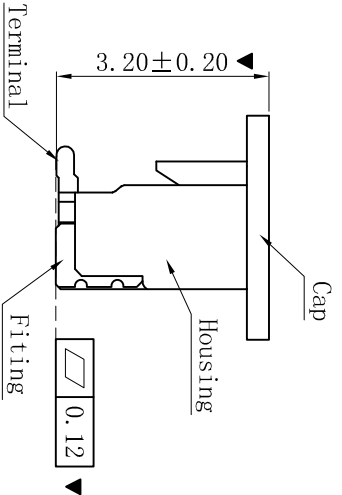
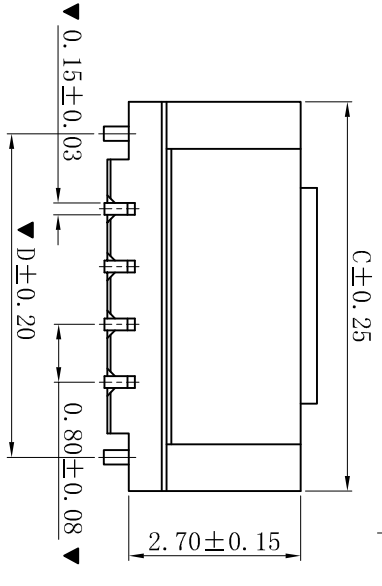
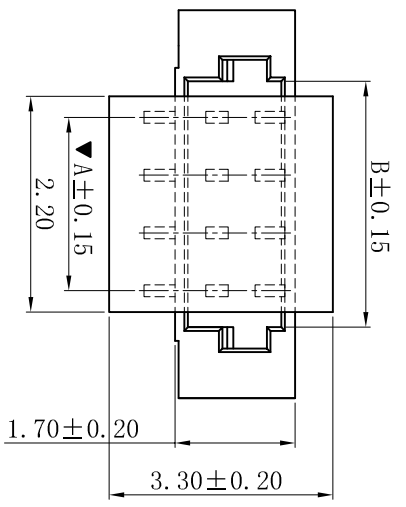


ROHS



P. C. B LAYOUT: TOP VIEW
TOLERANCE: ± 0.05mm

- SPECIFICATIONS**
- Voltage rating: 30V AC, DC
 - Current rating: 0.5A, AC, DC
 - Withstanding Voltage: 200V AC/minute
 - Insulation resistance: 100MΩ min
 - Temperature range: -25° C ~ +85° C
 - Contact resistance: 20mΩ max
- WAFER**
- Part No.: W0800SV-NP
 - Poles : 02-24P
 - Housing Material: PA6T U194V-0
 - Pin Material: Phosphor Bronze
 - Contact Area Plating: Gold-Flash or Tin plated
 - The Dimension Marked “▼” Must Be Recorded

PART NO.	Dimensions (mm)			
	A	B	C	D
02	0.80	1.90	3.78	3.04
03	1.60	2.70	4.58	3.84
04	2.40	3.50	5.38	4.64
05	3.20	4.30	6.18	5.44
06	4.00	5.10	6.98	6.24
07	4.80	5.90	7.78	7.04
08	5.60	6.70	8.58	7.84
09	6.40	7.50	9.38	8.64
10	7.20	8.30	10.18	9.44
11	8.00	9.10	10.98	10.24
12	8.80	9.90	11.78	11.04
13	9.60	10.70	12.58	11.84
14	10.40	11.50	13.38	12.64
15	11.20	12.30	14.18	13.44
16	12.00	13.10	14.98	14.24
17	12.80	13.90	15.78	15.04
18	13.60	14.70	16.58	15.84
19	14.40	15.50	17.38	16.64
20	15.20	16.30	18.18	17.44
21	16.00	17.10	18.98	18.24
22	16.80	17.90	19.78	19.04
23	17.60	18.70	20.58	19.84
24	18.40	19.50	21.38	20.64

XYDZ® 东莞市祥运连接器有限公司
Dongguan XiangYun Connectors CO., Ltd

一般公差 GENERAL TOLERANCE:	0±0.30 .0±0.25 .00±0.20 .000±0.05
ANGLE: ±1°	

更新图面	2019-06-03	陈雄军
修订版本	2015-11-04	陈雄军
变更图宽格式内容	2013-12-27	陈雄军
新版本	2011-05-24	陈雄军

说明 DESCRIPTION	日期 DATE	承认 APPRO.
版次 REV.	1	

投影法
Projection

单位
Unit

比例/Scale
1:1

大小/Size
A4

页码/Sheet
1/1

版本/Rev
D

品名
(PART NAME)
0.80mm SMT 180° Wafer
Connector Series

料号
(PART NO)
W0800SV-NP

状态码
C